

## Overview



The Siemens SITRANS LG series are guided wave radar transmitters for level, level/interface, and volume measurement of liquids and solids. The SITRANS LG product line can handle changes in process conditions, high temperatures and pressures, and steam.

## Benefits

- High accuracy to +/- 2 mm
- Advanced Diagnostics available for high degree of safety
- Simple menu driven display offers ease of setup
- Large range of options offers reliability in most continuous level measurement applications
- Ease of maintenance through module design and field replaceable and adjustable probe options
- Perfect solution for wide range of applications from storage to interface with options for extreme pressure and temperature conditions
- Universally applicable in liquids, interface, slurries and solids
- Highly immune to buildup using auto learn function
- Ability to measure in loss of echo situations with probe end tracking
- Suitable for API 2350
- Convenient access using USB and remote interface accessories

## Application

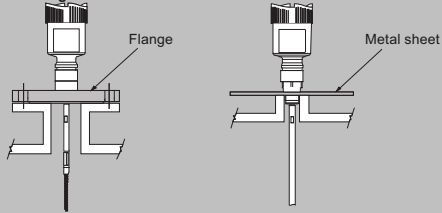
The SITRANS LG series comes in four different models, depending on the applications, level of performance, and functionality required:

- SITRANS LG240 offers configuration options for your hygienic and corrosive application requirements
- SITRANS LG250 Highly flexible solution for liquid level and interface applications. Extremely versatile offering solutions for storage, separation of materials or difficult ammonia applications
- SITRANS LG260 Ideal for measuring level in medium range solids applications including; grains, plastics, and cement
- SITRANS LG270 offers configuration options for extreme conditions including high temperature and high pressure applications such as: harsh applications found in chemical, HPI and energy industries for example, LPG gas tanks, steam boilers and distillation columns

## SITRANS LG series

## Configuration

## Mounting on nozzle

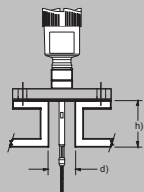


## Installation in non-metal vessel

The guided microwave principle requires a metal surface on the process fitting. Therefore, use in plastic vessels etc. an instrument version with flange (from DN 50) or place a metal sheet,  $\varnothing > 200$  mm (8 inch), beneath the process fitting when screwing it in.

Make sure that the plate has direct contact with the process fitting

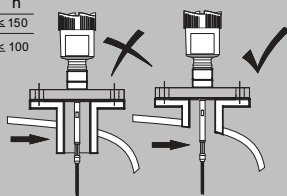
## Mounting socket



If possible, avoid sockets, mount the sensor flush with the vessel top. If this is not possible, use short sockets with small diameter. Higher sockets or sockets with a bigger diameter can generally be used. They simply increase the upper blocking distance. Check if this is relevant for your measurement. In such cases, always carry out a false signal suppression after installation.

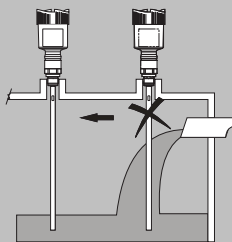
| d                   | h     |
|---------------------|-------|
| DN 40 ... DN 150    | ≤ 150 |
| > DN 150 ... DN 200 | ≤ 100 |

## Socket must be installed flush



When welding the socket, make sure that the socket is flush to the vessel top.

Before beginning the welding work, remove the electronics module from the sensor. By doing this, you avoid damage to the electronics through inductive coupling.

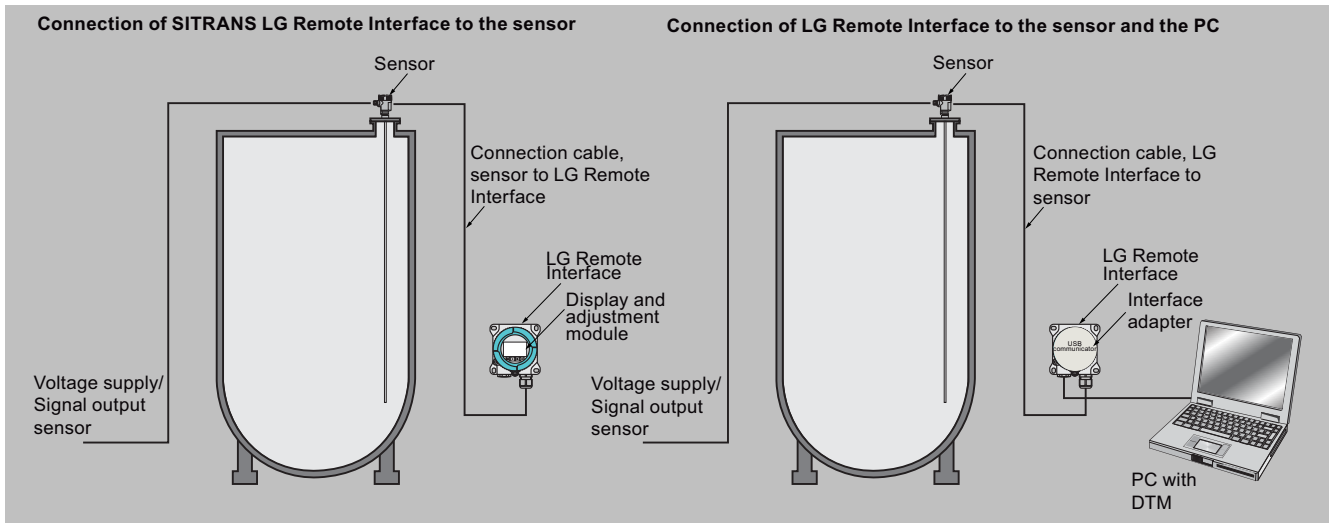


## Inflowing medium

Do not mount the instruments in or above the filling stream. Make sure that you detect the product surface, not the inflowing product.

## SITRANS LG Series installation

Configuration (continued)



SITRANS LG Remote Interface installation

## SITRANS LG series

## Selection and ordering data

|   | Article No.         | Order Code |
|---|---------------------|------------|
| <b>SITRANS LG240 Guided radar level transmitter</b><br>Continuous, contact, 32 m (105 ft) range. Monitors level and interface in aggressive liquids. Ideal for hygienic applications. | 7ML5880-●●●●●-●●●●● | ●●●        |
| Click on the Article No. for the online configuration in the PIA Life Cycle Portal.   |                     |            |
| <b>Approvals</b>  |                     |            |
| General purpose (CSA, FM, CE) <sup>20)</sup>  | 0                   | A          |
| Overfill protection (WHG; VLAREM) <sup>11)</sup>  | 0                   | C          |
| ATEX II 1G, ½G, 2G Ex ia IIC T6 <sup>14)</sup>  | 0                   | E          |
| ATEX II 1G, ½G, 2G Ex ia IIC + Overfill (WHG; VLAREM) <sup>11)</sup>  | 0                   | F          |
| ATEX II 1G, ½G 2G Ex ia IIC + ATEX II 1D, ½D, 2D IP6x <sup>1)15)17)</sup>   | 0                   | H          |
| ATEX II ½G, 2G Ex d ia IIC T6 <sup>3)13)16)</sup>   | 0                   | J          |
| ATEX II ½G, 2G Ex d ia IIC + ATEX II ½D, 2D IP6x <sup>3)13)16)17)</sup>   | 0                   | K          |
| ATEX II 1D, ½D, 2D IP6x <sup>1)17)18)</sup>   | 0                   | N          |
| ATEX II 1G, II ½G, II 2G Ex ia IIC T6 ... T1 Ga, Ga/Gb, Gb /IEC Ex ia IIC T6 ... T1 Ga, Ga/Gb, Gb <sup>1)14)</sup>  | 0                   | W          |
| IEC Ex ia IIC T6 <sup>14)</sup>   | 0                   | P          |
| IEC Ex ia IIC T6 + IEC IP6x T td <sup>1)15)17)</sup>  | 0                   | Q          |
| IEC Ex d ia IIC T6 <sup>3)13)16)</sup>  | 0                   | R          |
| IEC Ex d ia IIC T6 + IEC IP6x T td <sup>3)13)16)</sup>  | 0                   | S          |
| FM (NI) Class I, Div. 2, Groups A, B, C, D <sup>29)12)16)</sup>   | 1                   | A          |
| FM (IS) Class I, II, III, Div. 1, Groups A, B, C, D, E, F, G <sup>9)15)</sup>   | 1                   | B          |
| FM (XP-AIS) Class I, II, III, Div. 1, Groups A, B, C, D, E, F, G <sup>3)13)16)</sup>  | 1                   | C          |
| CSA (NI) Class I, Div. 2, Groups A, B, C, D; (DIP) Class II, III, Div. 1, Groups E, F, G <sup>1)17)</sup>   | 1                   | E          |
| CSA (IS) Class I, II, III, Div. 1, Groups A, B, C, D, E, F, G <sup>14)</sup>  | 1                   | F          |
| CSA (XP-IS) Class I, II, III, Div. 1, Groups A, B, C, D, E, F, G <sup>3)13)16)</sup>  | 1                   | G          |
| NEPSI Ex ia IIC T6 <sup>14)</sup>   | 2                   | A          |
| NEPSI Ex ia IIC T6 + DIP A20/21 TA T* <sup>1)15)</sup>  | 2                   | B          |
| NEPSI Ex d ia IIC T6 <sup>9)10)13)16)</sup>   | 2                   | C          |
| NEPSI Ex d ia IIC T6 + DIP A20/21 TA T* <sup>9)10)13)16)</sup>  | 2                   | D          |
| NEPSI DIP A20/21 TA T* <sup>1)16)</sup>   | 2                   | G          |
| INMETRO Ex ia IIC T6 ... T1 <sup>14)</sup>  | 3                   | A          |
| INMETRO Ex t IIIC T* IP6X, Da, Da/Db, Da/Dc, Db + Ex ia IIC T6, Ga, Ga/Gb <sup>1)10)15)</sup>   | 3                   | B          |
| INMETRO Ex d ia IIC T6 ... T1 <sup>9)10)13)16)</sup>  | 3                   | C          |
| INMETRO Ex t IIIC T* IP6X, Da, Da/Db, Da/Dc, Db + Ex d ia IIC T6 Ga/Gb <sup>9)10)13)16)</sup>   | 3                   | D          |
| INMETRO Ex t IIIC T* IP6X, Da, Da/Db, Da/Dc, Db <sup>1)10)13)16)</sup>  | 3                   | G          |
| Korea KC ex free area   | 6                   | A          |
| GOST-R/EAC 0 Ex ia IIC T1 ... T6 X <sup>14)</sup>   | 5                   | A          |
| GOST-R/EAC 0 Ex ia IIC T1 ... T6 X + Ex t IIIC T ... IP66 <sup>1)15)</sup>  | 5                   | B          |
| GOST-R/EAC 1 Ex d ia IIC T1 ... T6 X <sup>9)10)13)16)</sup>   | 5                   | C          |
| GOST-R/EAC 1 Ex d ia IIC T1 ... T6 X + Ex t IIIC T ... IP66 <sup>9)10)13)16)</sup>  | 5                   | D          |
| Note: Version/Material, Process fitting/Material, and Length options are available only with options of corresponding type.   |                     |            |
| <b>Probe version/Material</b>   |                     |            |
| Probe cable ø 4 mm (0.16 inch) with gravity weight/PFA <sup>17)</sup>   |                     | A          |
| Probe exchangeable rod ø 8 mm (0.31 inch)/1.4435 (Basle standard) <sup>17)</sup>  |                     | B          |
| Probe exchangeable rod ø 8 mm (0.31 inch)/ 1.4435 (Basle standard) can be autoclaved <sup>17)</sup>   |                     | C          |
| Probe rod ø 10 mm (0.39 inch)/PFA <sup>17)</sup>  |                     | D          |
| Probe exchangeable rod (ø 8 mm) /1.4435 (BN2), electropolished (Ra < 0.38 µm) <sup>17)</sup>  |                     | E          |
| <b>Process fitting/Material</b>   |                     |            |
| Clamp 2" PN 16 (ø 64 mm) DIN 32676, ISO2852/1.4435 (BN2)  | 0                   | 0          |
| Clamp 2" PN 16 (ø 64 mm) DIN 32676, ISO2852/PTFE-TFM 1600   | 0                   | 1          |
| Clamp 2 1/2" PN 10 (ø 77.5 mm) DIN 32676, ISO2852/1.4435 (BN2)  | 0                   | 2          |
| Clamp 2 1/2" PN 10 (ø 77.5 mm) DIN 32676, ISO2852/PTFE-TFM 1600   | 0                   | 3          |
| Clamp 3" PN 10 (ø 91 mm) D N 32676, ISO2852/1.4435 (BN2)  | 0                   | 4          |
| Clamp 3" PN 10 (ø 91 mm) DIN 32676, ISO2852/PTFE-TFM 1600   | 0                   | 5          |
| Clamp 4" PN 6 (ø 119 mm) DIN 32676, ISO2852/1.4435(BN2)   | 0                   | 6          |
| Clamp 4" PN 6 (ø 119 mm) DIN 32676, ISO2852/PTFE-TFM 1600   | 0                   | 7          |
| Clamp 1½" PN 16 (ø 50.5 mm) DIN 32676, ISO2852/1.4435 (BN2)   | 4                   | 0          |
| Bolting DN 32, PN 40 DIN 11851/1.4435(BN2)  | 0                   | 8          |
| Bolting DN 32, PN 40 DIN 11851/PTFE-TFM 1600  | 1                   | 0          |

## Selection and ordering data (continued)

|  | Article No. |   |   |   |   |   |   |   |   |   | Order Code |   |   |
|--|-------------|---|---|---|---|---|---|---|---|---|------------|---|---|
| <b>SITRANS LG240 Guided radar level transmitter</b><br><b>Continuous, contact, 32 m (105 ft) range. Monitors level and</b><br><b>interface in aggressive liquids. Ideal for hygienic</b><br><b>applications.</b> | 7           | M | L | 5 | 8 | 4 | 0 | - | 0 | 0 | 0          | 0 | 0 |
| Bolting DN 40, PN 40 DIN 11851/1.4435 (BN2)  |             |   |   |   |   |   |   |   |   | 1 | 1          |   |   |
| Bolting DN 40, PN 40 DIN 11851/PTFE-TFM 1600   |             |   |   |   |   |   |   |   |   | 1 | 2          |   |   |
| Bolting DN 50, PN 25 DIN 11851/1.4435(BN2)   |             |   |   |   |   |   |   |   |   | 1 | 3          |   |   |
| Bolting DN 50, PN 25 DIN 11851/PTFE-TFM 1600   |             |   |   |   |   |   |   |   |   | 1 | 4          |   |   |
| Bolting DN 65, PN 25 DIN 11851/PTFE-TFM 1600   |             |   |   |   |   |   |   |   |   | 1 | 5          |   |   |
| Flange DN 25, PN 40 Form C, DIN 2501/PTFE-TFM 1600   |             |   |   |   |   |   |   |   |   | 2 | 0          |   |   |
| Flange DN 40, PN 40 Form C, DIN 2501/PTFE-TFM 1600   |             |   |   |   |   |   |   |   |   | 2 | 1          |   |   |
| Flange DN 50, PN 40 Form C, DIN 2501/PTFE-TFM 1600   |             |   |   |   |   |   |   |   |   | 2 | 2          |   |   |
| Flange DN 50, PN 40 Form V13, DIN 2513/PTFE-TFM 1600   |             |   |   |   |   |   |   |   |   | 2 | 3          |   |   |
| Flange DN 65, PN 40 Form C, DIN 2513/PTFE-TFM 1600   |             |   |   |   |   |   |   |   |   | 2 | 4          |   |   |
| Flange DN 80, PN 40 Form C, DIN 2501/PTFE-TFM 1600   |             |   |   |   |   |   |   |   |   | 2 | 5          |   |   |
| Flange DN 100, PN 16 Form C, DIN 2501/PTFE-TFM 1600  |             |   |   |   |   |   |   |   |   | 2 | 6          |   |   |
| Flange DN 80, PN 40 EN 1092-1 Form B1/PTFE-TFM 1600  |             |   |   |   |   |   |   |   |   | 2 | 7          |   |   |
| Flange DN 100, PN 40 EN 1092-1 Form B1/PTFE-TFM 1600   |             |   |   |   |   |   |   |   |   | 2 | 8          |   |   |
| Flange 2" 150 lb RF, ASME B16.5/PTFE-TFM 1600  |             |   |   |   |   |   |   |   |   | 3 | 0          |   |   |
| Flange 2" 300 lb RF, ASME B16.5/PTFE-TFM 1600  |             |   |   |   |   |   |   |   |   | 3 | 1          |   |   |
| Flange 3" 150 lb RF, ASME B16.5/PTFE-TFM 1600  |             |   |   |   |   |   |   |   |   | 3 | 2          |   |   |
| Flange 4" 150 lb RF, ASME B16.5/PTFE-TFM 1600  |             |   |   |   |   |   |   |   |   | 3 | 3          |   |   |
| Note: The pressure limit for all PTFE coated versions is 16 bar (per manual).  |             |   |   |   |   |   |   |   |   |   |            |   |   |
| <b>Electronics</b>   |             |   |   |   |   |   |   |   |   |   |            |   |   |
| Two-wire 4 ... 20 mA/HART  |             |   |   |   |   |   |   |   |   |   |            | 0 |   |
| Four-wire Modbus <sup>3)13)</sup>  |             |   |   |   |   |   |   |   |   |   |            | 1 |   |
| Two-wire 4 ... 20 mA/HART with SIL qualification <sup>9)</sup>   |             |   |   |   |   |   |   |   |   |   |            | 2 |   |
| Four-wire 4 ... 20 mA/HART; 90 ... 253 V AC; 50/60 Hz <sup>3)13)</sup>   |             |   |   |   |   |   |   |   |   |   |            | 3 |   |
| Four-wire 4 ... 20 mA/HART; 9.6 ... 48 V DC; 20 ... 42 V AC <sup>3)13)</sup>   |             |   |   |   |   |   |   |   |   |   |            | 4 |   |
| PROFIBUS PA <sup>9)</sup>  |             |   |   |   |   |   |   |   |   |   |            | 5 |   |
| FOUNDATION Fieldbus <sup>9)</sup>  |             |   |   |   |   |   |   |   |   |   |            | 6 |   |
| <b>Seal/Process temperature</b>  |             |   |   |   |   |   |   |   |   |   |            |   |   |
| Without glass seal/-40 ... +150 °C (-40 ... +302 °F) <sup>2)</sup>   |             |   |   |   |   |   |   |   |   |   |            |   | A |
| FFKM (Kalrez 6221)/-20 ... 150 °C (-4 ... +302 °F) <sup>4)</sup>   |             |   |   |   |   |   |   |   |   |   |            |   | B |
| EPDM (Freudenberg 70 EPDM 291)/-20 ... 130 °C (-4 ... +266 °F) <sup>4)</sup>   |             |   |   |   |   |   |   |   |   |   |            |   | C |
| <b>Housing/Protection/Cable</b>  |             |   |   |   |   |   |   |   |   |   |            |   |   |
| Note: for installation of remote display, 7ML5840, with LG two chamber housing options, contact PVC  |             |   |   |   |   |   |   |   |   |   |            |   |   |
| Plastic IP66/IP67 M20 x 1.5/blind stopper  |             |   |   |   |   |   |   |   |   |   |            |   | A |
| Plastic IP66/IP67 1/2" NPT/blind stopper   |             |   |   |   |   |   |   |   |   |   |            |   | B |
| Aluminum/IP66/IP68 (0.2 bar) M20 x 1.5/blind stopper   |             |   |   |   |   |   |   |   |   |   |            |   | C |
| Aluminum/IP66/IP68 (0.2 bar) 1/2" NPT/blind stopper  |             |   |   |   |   |   |   |   |   |   |            |   | D |
| Aluminum double chamber/IP66/IP68 (0.2 bar) M20 x 1.5/blind stopper  |             |   |   |   |   |   |   |   |   |   |            |   | E |
| Aluminum double chamber/IP66/IP68 (0.2 bar) 1/2" NPT/blind stopper   |             |   |   |   |   |   |   |   |   |   |            |   | F |
| Stainless steel (precision casting) 316L/IP66/IP68 (0.2 bar) M20 x 1.5/blind stopper   |             |   |   |   |   |   |   |   |   |   |            |   | G |
| Stainless steel (precision casting) 316L/IP66/IP68 (0.2 bar) 1/2" NPT/blind stopper  |             |   |   |   |   |   |   |   |   |   |            |   | H |
| Stainless steel (electropolished) 316L/IP66/IP68 (0.2 bar) M20 x 1.5/blind stopper   |             |   |   |   |   |   |   |   |   |   |            |   | J |
| Stainless steel (electropolished) 316L/IP66/IP68 (0.2 bar) 1/2" NPT/blind stopper  |             |   |   |   |   |   |   |   |   |   |            |   | K |
| Stainless steel double chamber/IP66/IP68 (0.2 bar) M20 x 1.5/blind stopper   |             |   |   |   |   |   |   |   |   |   |            |   | L |
| Stainless steel double chamber/IP66/IP68 (0.2 bar) 1/2" NPT/blind stopper  |             |   |   |   |   |   |   |   |   |   |            |   | M |
| Aluminum/IP66/IP68 (0.2 bar) M20 x 1.5/cable gland stainless steel   |             |   |   |   |   |   |   |   |   |   |            |   | N |
| Aluminum double chamber/IP66/IP68 (0.2 bar) M20 x 1.5/cable gland stainless steel  |             |   |   |   |   |   |   |   |   |   |            |   | P |
| Stainless steel (precision casting) 316L/IP66/IP68 (0.2 bar) M20 x 1.5/cable gland stainless steel   |             |   |   |   |   |   |   |   |   |   |            |   | Q |
| Stainless steel (electropolished) 316L/IP66/IP68 (0.2 bar) M20 x 1.5/cable gland stainless steel   |             |   |   |   |   |   |   |   |   |   |            |   | R |
| Aluminum single chamber / IP66/IP68 (0.2 bar) M20 x 1.5/cable gland brass nickel-plated  |             |   |   |   |   |   |   |   |   |   |            |   | W |
| Aluminum double chamber / IP66/IP68 (0.2 bar) M20 x 1.5/cable gland brass nickel-plated  |             |   |   |   |   |   |   |   |   |   |            |   | X |
| Stainless steel single chamber (precision casting) / IP66/IP68 (0.2 bar) M20 x 1.5/ cable gland brass nickel-plated  |             |   |   |   |   |   |   |   |   |   |            |   | Y |

## SITRANS LG series

## Selection and ordering data (continued)

|   | Article No.                  | Order Code |
|---|------------------------------|------------|
| <b>SITRANS LG240 Guided radar level transmitter</b><br>Continuous, contact, 32 m (105 ft) range. Monitors level and interface in aggressive liquids. Ideal for hygienic applications. | 7ML5880- ● ● ● ● ● - ● ● ● ● | ● ● ●      |
| Stainless steel double chamber / IP66/IP68 (0.2 bar) M20 x 1.5/cable gland brass nickel-plated  |                              | S          |
| Remote stainless steel single chamber housing, electropolished/IP66/IP67 with cable outlet IP68 (electronics separated by cable); M20 x 1.5/blind plug <sup>10)</sup>                 |                              | Z Q 2 A    |
| Remote plastic single chamber housing /IP66/IP67 with cable outlet IP68 (electronics separated by cable); M20 x 1.5/blind plug <sup>10)</sup>   |                              | Z Q 2 B    |
| <b>Lengths</b>  |                              |            |
| <b>Rod ø 8 mm (0.31 inch)/1.4435 (Basle standard 300 ... 4 000 mm)</b>  |                              |            |
| 300 ... 1 000 mm<br>(11.81 ... 39.37 inch) <sup>6)</sup>  |                              | 0          |
| 1 001 ... 2 000 mm<br>(39.41 ... 78.74 inch) <sup>6)</sup>  |                              | 1          |
| 2 001 ... 3 000 mm<br>(78.78 ... 118.11 inch) <sup>6)</sup>   |                              | 2          |
| 3 001 ... 4 000 mm<br>(118.15 ... 157.48 inch) <sup>6)</sup>  |                              | 3          |
| <b>Rod ø 10 mm (0.24 inch)/PFA (300 ... 4 000 mm)</b>   |                              |            |
| 300 mm (11.81 inch) <sup>6)</sup>   |                              | 9 R 1 A    |
| 500 mm (19.69 inch) <sup>6)</sup>   |                              | 9 R 1 B    |
| 300 ... 1 000 mm<br>(11.81 ... 39.37 inch) <sup>6)</sup>  |                              | 9 R 1 C    |
| 1 001 ... 5 000 mm<br>(39.41 ... 78.74 inch) <sup>6)</sup>  |                              | 9 R 1 D    |
| 2 001 ... 3 000 mm<br>(78.78 ... 118.11 inch) <sup>6)</sup>   |                              | 9 R 1 E    |
| 3 001 ... 4 000 mm<br>(118.15 ... 157.48 inch) <sup>6)</sup>  |                              | 9 R 1 F    |
| <b>Cable ø 4 mm (0.16 inch)/PFA (500 ... 32 000 mm)</b>   |                              |            |
| 500 mm (9.69 inch)  |                              | 9 R 1 G    |
| 501 ... 1 000 mm (19.72 ... 39.37 inch)   |                              | 9 R 1 H    |
| 1 001 ... 2 000 mm (39.41 ... 78.74 inch)   |                              | 9 R 1 J    |
| 2 001 ... 4 000 mm (78.78 ... 157.40 inch)  |                              | 9 R 1 K    |
| 4 001 ... 5 000 mm (157.52 ... 196.85 inch)   |                              | 9 R 1 L    |
| 5 001 ... 10 000 mm (196.89 ... 393.70 inch)  |                              | 9 R 1 M    |
| 10 001 ... 15 000 mm (393.74 ... 590.55 inch)   |                              | 9 R 1 N    |
| 15 001 ... 20 000 mm (590.59 ... 787.40 inch)   |                              | 9 R 1 P    |
| 20 001 ... 25 000 mm (787.44 ... 984.25 inch)   |                              | 9 R 1 Q    |
| 25 001 ... 32 000 mm (984.29 ... 1 259.52 inch)   |                              | 9 R 1 R    |
| <b>Exchange rod ø 8 mm (0.31 inch)/1.4435 (BN2), electropolished (Ra &lt; 0.38 µm)</b>  |                              |            |
| 300 ... 1 000 mm (11.81 ... 39.37 inch) <sup>6)</sup>   |                              | 9 R 2 A    |
| 1 001 ... 2 000 mm (39.41 ... 78.74 inch) <sup>6)</sup>   |                              | 9 R 2 B    |
| 2 001 ... 3 000 mm (78.78 ... 118.11 inch) <sup>6)</sup>  |                              | 9 R 2 C    |
| 3 001 ... 4 000 mm (118.15 ... 157.48 inch) <sup>6)</sup>   |                              | 9 R 2 D    |

| Selection and Ordering data                               | Order code |
|---|------------|
| <b>Further designs (mandatory)</b>                        |            |
| Please add "-Z" to Article No. and specify Order code(s). |            |
| <b>Supplementary electronics</b>                          |            |
| Without   | A00        |
| Additional current output 4 ... 20 mA <sup>10)</sup>      | A01        |
| <b>Indicating/adjustment module</b>                       |            |
| Without   | E00        |
| Mounted   | E01        |
| Laterally mounted   | E02        |

| Selection and Ordering data | Order code |
|-----------------------------|------------|
| <b>Language of display</b>  |            |
| German                      | L00        |
| English                     | L01        |
| French                      | L02        |
| Dutch                       | L03        |
| Italian                     | L04        |
| Spanish                     | L05        |
| Portuguese                  | L06        |
| Russian                     | L07        |



## SITRANS LG series

## Selection and ordering data (continued)

|  | Article No.                    | Order Code |
|--|--------------------------------|------------|
| <b>SITRANS LG250 Guided radar level transmitter</b><br><b>Continuous, contact, 75 m (246 ft) range. Monitors level and</b><br><b>interface in liquids.</b> | 7ML5881- ● ● ● ● ● - ● ● ● ● ● | ● ● ●      |
| Overfill protection (WHG; VLAREM) <sup>9)10)13)</sup>  | 0                              | C          |
| ATEX II 1G, ½G, 2G Ex ia IIC T6 <sup>10)13)</sup>  | 0                              | E          |
| ATEX II 1G, ½G, 2G Ex ia IIC + Overfill (WHG; VLAREM) <sup>10)13)</sup>  | 0                              | F          |
| ATEX II 1G, ½G, 2G Ex ia IIC T6 + shipping approval <sup>4)6)7)8)13)</sup>   | 0                              | G          |
| ATEX II 1G, ½G 2G Ex ia IIC + ATEX II 1D, ½D, 2D IP6x <sup>11)13)</sup>  | 0                              | H          |
| ATEX II ½G, 2G Ex d ia IIC T6 <sup>2)8)11)12)13)</sup>   | 0                              | J          |
| ATEX II 1/2G, 2G Ex d ia IIC + ATEX II 1/2D, 2D IP6x <sup>2)8)11)12)13)</sup>  | 0                              | K          |
| ATEX II 1/2G, 2G Ex d IIC T6 <sup>11)11)14)</sup>  | 0                              | L          |
| ATEX II 1/2G, 2G Ex d IIC + ATEX II 1/2D, 2D IP6x <sup>11)11)13)14)</sup>  | 0                              | M          |
| ATEX II 1D, 1/2D, 2D IP6x T <sup>11)13)14)</sup>   | 0                              | N          |
| ATEX II 1G, II 1/2G, II 2G Ex ia IIC T6...T1 Ga, Ga/Gb, Gb /IEC Ex ia IIC T6...T1 Ga, Ga/Gb, Gb <sup>1-3)</sup>  | 0                              | W          |
| ATEX II 1/2G, II 2G Ex db IIC T6 ... T1 Ga/Gb, Gb / IEC Ex db IIC T6 ... T1 Ga/Gb, Gb <sup>13)14)18)</sup>   | 1                              | K          |
| ATEX II 1/2G, II 2G Ex d ia IIC T6 ... T1 Ga/Gb, Gb + Ship approval <sup>2)6)8)11)12)13)</sup>   | 7                              | A          |
| ATEX II 1/2G, II 2G Ex db IIC T6 ... T1 Ga/Gb, Gb + Ship approval <sup>1)6)8)11)13)</sup>  | 7                              | B          |
| ATEX II 1/2G, II 2G Ex db IIC T6 ... T1 Ga/Gb, Gb + Overfill protection (WHG, VLAREM) <sup>11)11)14)</sup>   | 7                              | P          |
| IEC Ex ia IIC T6 <sup>10)13)</sup>   | 0                              | P          |
| IEC Ex ia IIC T6 + IEC IP6x T tD <sup>11)14)15)</sup>  | 0                              | Q          |
| IEC Ex d ia IIC T6 <sup>2)8)11)12)13)</sup>  | 0                              | R          |
| IEC Ex d ia IIC T6 + IEC IP6x T tD <sup>2)8)11)12)13)15)</sup>   | 0                              | S          |
| IEC Ex d IIC T6 <sup>11)11)14)</sup>   | 0                              | T          |
| IEC Ex d IIC T6 + IEC IP6x T tD <sup>11)11)14)</sup>   | 0                              | U          |
| IEC Ex db IIC T6...T1 Ga/Gb, Gb + Ship approval <sup>1)6)8)11)13)14)</sup>   | 7                              | C          |
| IEC Ex ia IIC T6...T1 Ga, Ga/Gb, Gb + Ship approval <sup>6)8)13)16)</sup>  | 7                              | D          |
| IEC Ex d ia IIC T6...T1 Ga/Gb, Gb + Ship approval <sup>2)6)8)11)13)15)</sup>   | 7                              | E          |
| FM (NI) Class I, Div. 2, Groups A, B, C, D <sup>3)8)13)17)</sup>   | 1                              | A          |
| FM (IS) Class I, II, III, Div. 1, Groups A, B, C, D, E, F <sup>5)8)13)</sup>   | 1                              | B          |
| FM (XP-AIS) Class I, II, III, Div. 1, Groups A, B, C, D, E, F, G <sup>2)8)11)12)13)</sup>  | 1                              | C          |
| FM (XP) Class I, Div. 1, Groups A, B, C, D <sup>2)11)13)14)</sup>  | 1                              | D          |
| FM (NI) Class I, II, III, Div. 2, Groups A, B, C, D, F, G + Ship approval <sup>4)6)8)13)17)</sup>  | 7                              | F          |
| FM (IS) Class I, II, III, Div. 1, Groups A, B, C, D, E, F, G + Ship approval <sup>6)8)13)16)</sup>   | 7                              | G          |
| FM (XP-AIS) Class I, Div. 1, Groups A, B, C, D, + Ship approval <sup>6)8)11)13)16)</sup>   | 7                              | H          |
| FM (XP) Class I, Div. 1, Groups A, B, C, D + Ship approval <sup>2)6)8)13)14)</sup>   | 7                              | J          |
| CSA (NI) Class I, Div. 2, Groups A, B, C, D (DIP) Class II, III, Div. 1, Groups E, F, G <sup>1)</sup>  | 1                              | E          |
| CSA (IS) Class I, II, III, Div. 1, Groups A, B, C, D, E, F, G <sup>5)13)</sup>   | 1                              | F          |
| CSA (XP-IS) Class I, II, III, Div. 1, Groups A, B, C, D, E, F, G <sup>2)8)11)12)13)</sup>  | 1                              | G          |
| CSA (XP) Class I, II, III, Div. 1, Groups A, B, C, D, E, F, G <sup>8)13)14)18)</sup>   | 1                              | H          |
| CSA (NI) Class I, II, III Div. 2, Groups A, B, C, D, F, G + Ship approval <sup>1)6)13)</sup>   | 7                              | K          |
| CSA (IS) Class I, II, III, Div. 1, Groups A, B, C, D, E, F, G + Ship approval <sup>6)13)16)</sup>  | 7                              | L          |
| CSA (XP-IS) Class I, II, III, Div. 1, Groups A, B, C, D, E, F, G + Ship approval <sup>6)8)11)32)</sup>   | 7                              | M          |
| CSA (XP) Class I, II, III, Div. 1, Groups A, B, C, D, E, F, G + Ship approval <sup>6)8)13)14)18)</sup>   | 7                              | N          |
| NEPSI Ex ia IIC T6 <sup>5)13)</sup>  | 2                              | A          |
| NEPSI Ex ia IIC T6 + DIP A20/21 TA T* <sup>1)13)</sup>   | 2                              | B          |



## Selection and ordering data (continued)

|  | Article No.                    | Order Code |
|--|--------------------------------|------------|
| <b>SITRANS LG250 Guided radar level transmitter</b><br><b>Continuous, contact, 75 m (246 ft) range. Monitors level and</b><br><b>interface in liquids.</b> | 7ML5881- ● ● ● ● ● - ● ● ● ● ● | ● ● ●      |
| NEPSI Ex d ia IIC T6 <sup>(2)(8)(11)(13)</sup>   | 2                              | C          |
| NEPSI Ex d ia IIC T6 +<br>DIP A20/21 TA T* <sup>(2)(8)(11)(13)</sup>   | 2                              | D          |
| NEPSI Ex d IIC T6 <sup>(1)(11)(13)(14)</sup>   | 2                              | E          |
| NEPSI Ex d IIC T6 +<br>DIP A20/21 TA T <sup>(1)(11)(13)(14)</sup>  | 2                              | F          |
| NEPSI DIP A20/21 TA T* <sup>(1)(13)(14)</sup>  | 2                              | G          |
| INMETRO Ex ia IIC T6 ... T1 <sup>(5)(13)</sup>   | 3                              | A          |
| INMETRO Ex t IIIC T* IP6X, Da, Da/Db, Da/Dc, Db + Ex ia IIC T6, Ga, Ga/Gb <sup>(1)(11)(13)</sup>   | 3                              | B          |
| INMETRO Ex d ia IIC T6 ... T1 <sup>(2)(8)(11)(13)</sup>  | 3                              | C          |
| INMETRO Ex t IIIC T* IP6X, Da, Da/Db, Da/Dc, Db + Ex d ia IIC T6 Ga/Gb <sup>(1)(8)(11)(13)</sup>   | 3                              | D          |
| INMETRO Ex d IIC T6 ... T1 <sup>(1)(11)(13)(14)</sup>  | 3                              | E          |
| INMETRO Ex t IIIC T* IP6X, Da, Da/Db, Da/Dc, Db + Ex d IIC T6 Ga/Gb <sup>(1)(11)(13)(14)</sup>   | 3                              | F          |
| INMETRO Ex t IIIC T* IP6X, Da, Da/Db, Da/Dc, Db <sup>(1)(11)(13)(14)</sup>   | 3                              | G          |
| KOSHA Ex d IIC T6 ... T1 – KE <sup>(1)(11)(13)(14)</sup>   | 4                              | A          |
| Korea KC ex free area  | 6                              | A          |
| GOST-R/EAC 0 Ex ia IIC T1 ... T6 X <sup>(13)</sup>   | 5                              | A          |
| GOST-R/EAC 0 Ex ia IIC T1 ... T6 X + Ex t IIIC T ... IP66 <sup>(1)(13)</sup>   | 5                              | B          |
| GOST-R/EAC 1 Ex d ia IIC T1 ... T6 X <sup>(2)(8)(11)(13)</sup>   | 5                              | C          |
| GOST-R/EAC 1 Ex d ia IIC T1 ... T6 X + Ex t IIIC T ... IP66 <sup>(2)(8)(11)(13)</sup>  | 5                              | D          |
| GOST-R/EAC 1 Ex d IIC T1 ... T6 X <sup>(1)(11)(13)</sup>   | 5                              | E          |
| GOST-R/EAC 0 Ex d IIC T1 ... T6 X + Ex t IIIC T ... IP66 <sup>(1)(11)(13)</sup>  | 5                              | F          |
| GOST-R/EAC Ex t IIIC T ... IP66 <sup>(1)(13)</sup>   | 5                              | G          |
| <b>Note: Version/Material, Process fitting/Material, and Length options are available only with options of corresponding type.</b>                         |                                |            |
| <b>Probe version/Material</b>  |                                |            |
| Probe exchangeable cable ø 2 mm (0.08 inch) with gravity weight/316 <sup>(19)(20)</sup>  |                                | A          |
| Probe exchangeable cable ø 2 mm (0.08 inch) center weight/316L <sup>(19)(20)</sup>   |                                | B          |
| Probe exchangeable cable ø 4 mm (0.16 inch) with gravity weight/316L <sup>(9)(19)(20)</sup>  |                                | C          |
| Probe exchangeable cable ø 4 mm (0.16 inch) with center weight/316L <sup>(9)(19)(20)</sup>   |                                | D          |
| Probe exchangeable rod ø 8 mm (0.31 inch)/316L <sup>(9)(19)</sup>  |                                | E          |
| Probe exchangeable rod ø 12 mm (0.47 inch)/316L <sup>(9)(19)</sup>   |                                | F          |
| Probe coax version ø 21.3 mm (0.84 inch) with single hole/316L <sup>(9)(19)(20)</sup>  |                                | G          |
| Probe coax version ø 21.3 mm (0.84 inch) with multiple hole/316L <sup>(9)(19)(20)</sup>  |                                | H          |
| Probe coax version ø 42.2 mm (1.66 inch) with multiple hole/316L <sup>(9)(19)(20)</sup>  |                                | K          |
| Probe exchangeable cable ø 4 mm (0.16 inch) with gravity weight/Alloy C22 (2.4602) <sup>(9)</sup>  |                                | L          |
| Probe exchangeable cable ø 4 mm (0.16 inch) with centre weight/Alloy C22 (2.4602) <sup>(9)</sup>   |                                | M          |
| Probe exchangeable rod ø 8 mm (0.31 inch)/Alloy C22 (2.4602) <sup>(9)</sup>  |                                | N          |
| Probe exchangeable rod ø 12 mm (0.47 inch)/Alloy C22 (2.4602) <sup>(9)</sup>   |                                | P          |
| Probe coax version ø 21.3 mm (0.84 inch) with multiple hole/Alloy C22 (2.4602) <sup>(9)</sup>  |                                | Q          |
| Probe coax version ø 42.2 mm (1.66 inch) with multiple hole/Alloy C22 (2.4602) <sup>(9)</sup>  |                                | R          |
| Probe exchangeable rod ø 8 mm (0.31 inch)/ Duplex (1.4462) <sup>(9)</sup>  |                                | S          |
| Exchangeable rod ø 12 mm (0.47 inch)/Alloy C22 and 400 (2.4360) <sup>(9)</sup>   |                                | T          |
| Exchangeable coated cable ø 4 mm with uncoated centering weight/PFA and 316 <sup>(21)(24)(30)(35)(36)</sup>  |                                | U          |
| <b>Process fitting/Material</b>  |                                |            |
| Thread G 3/4" (DIN 3852-A) PN 6/316L   | 0                              | 0          |
| Thread 3/4" NPT (ASME B1.20.1) PN 6/316L   | 0                              | 1          |
| Thread G 3/4" (DIN 3852-A) PN 40/316L  | 0                              | 2          |
| Thread 3/4" NPT (ASME B1.20.1) PN 40/316L  | 0                              | 3          |
| Thread G 3/4" (DIN 3852-A) PN 100 / 316L <sup>(22)</sup>   | 0                              | 4          |
| Thread 3/4" NPT (ASME B1.20.1) PN 100/316L <sup>(22)</sup>   | 0                              | 5          |
| Thread G 1" (DIN 3852-A) PN 40/316L  | 0                              | 6          |
| Thread 1" NPT (ASME B1.20.1) PN 40/316L  | 0                              | 7          |
| Thread G 1" (DIN 3852-A) PN 100/316L <sup>(22)</sup>   | 0                              | 8          |
| Thread 1" NPT (ASME B1.20.1) PN 100/316L <sup>(22)</sup>   | 1                              | 0          |
| Thread G 1 1/2" (DIN 3852-A) PN 40/316L  | 1                              | 1          |



## Selection and ordering data (continued)

|   | Article No. |   |   |   |   |   |   |   |   |   | Order Code |   |   |   |   |   |   |   |     |
|---|-------------|---|---|---|---|---|---|---|---|---|------------|---|---|---|---|---|---|---|-----|
|   | 7           | M | L | 5 | 8 | 8 | 8 | 8 | 8 | 8 | -          | 0 | 0 | 0 | 0 | 0 | 0 | 0 |     |
| <b>SITRANS LG250 Guided radar level transmitter</b>                                       |             |   |   |   |   |   |   |   |   |   |            |   |   |   |   |   |   |   |     |
| <b>Continuous, contact, 75 m (246 ft) range. Monitors level and interface in liquids.</b> |             |   |   |   |   |   |   |   |   |   |            |   |   |   |   |   |   |   |     |
| Flange 4" 300 lb RF, ASME B16.5/Duplex (1.4462)   |             |   |   |   |   |   |   |   |   |   |            |   |   |   |   |   |   |   | 7 8 |
| Flange 4" 600 lb RF, ASME B16.5/Duplex (1.4462)   |             |   |   |   |   |   |   |   |   |   |            |   |   |   |   |   |   |   | 8 0 |
| Thread 1 1/2" NPT PN 40, ASME B1.20.1/Alloy 400 (2.4360)                                  |             |   |   |   |   |   |   |   |   |   |            |   |   |   |   |   |   |   | 8 1 |
| Flange 2" 150 lb RF, ASME B16.5/Alloy 400 (2.4360)  |             |   |   |   |   |   |   |   |   |   |            |   |   |   |   |   |   |   | 8 2 |
| Flange 2" 300 lb RF, ASME B16.5/Alloy 400 (2.4360) solid                                  |             |   |   |   |   |   |   |   |   |   |            |   |   |   |   |   |   |   | 8 3 |
| Flange 3" 150 lb RF, ASME B16.5/Alloy 400 (2.4360)  |             |   |   |   |   |   |   |   |   |   |            |   |   |   |   |   |   |   | 8 4 |
| Flange 3" 300 lb RF, ASME B16.5/Alloy 400 (2.4360)  |             |   |   |   |   |   |   |   |   |   |            |   |   |   |   |   |   |   | 8 5 |
| Flange 3" 300 lb RJF, ASME B16.5/Alloy 400 (2.4360)                                       |             |   |   |   |   |   |   |   |   |   |            |   |   |   |   |   |   |   | 8 6 |
| Flange 4" 150 lb RF, ASME B16.5/Alloy 400 (2.4360)  |             |   |   |   |   |   |   |   |   |   |            |   |   |   |   |   |   |   | 8 7 |
| Flange 4" 300 lb RF, ASME B16.5/Alloy 400 (2.4360)  |             |   |   |   |   |   |   |   |   |   |            |   |   |   |   |   |   |   | 8 8 |
| Flange DN 25 PN 40 Form C, DIN 2501/ Alloy C22 (2.4602) solid <sup>37)</sup>              |             |   |   |   |   |   |   |   |   |   |            |   |   |   |   |   | L | 1 | A   |
| Flange DN 25 PN 40 Form B1, EN 1092-1/ Alloy C22 (2.4602) solid <sup>37)</sup>            |             |   |   |   |   |   |   |   |   |   |            |   |   |   |   |   | L | 1 | B   |
| Flange DN 80 PN 40 Form B1, EN 1092-1/ Alloy C22 (2.4602) solid                           |             |   |   |   |   |   |   |   |   |   |            |   |   |   |   |   | L | 1 | C   |
| Flange 1" 150 lb RF, ASME B16.5/Alloy C22 (2.4602) solid <sup>37)</sup>                   |             |   |   |   |   |   |   |   |   |   |            |   |   |   |   |   | L | 1 | D   |
| Flange 1 1/2" 150 lb RF, ASME B16.5/Alloy C22 (2.4602) solid <sup>37)</sup>               |             |   |   |   |   |   |   |   |   |   |            |   |   |   |   |   | L | 1 | E   |
| Flange 1 1/2" 300 lb RF, ASME B16.5/Alloy C22 (2.4602) solid <sup>37)</sup>               |             |   |   |   |   |   |   |   |   |   |            |   |   |   |   |   | L | 1 | F   |
| Flange 2" 150 lb RF, ASME B16.5/ Alloy C22 (2.4602) solid                                 |             |   |   |   |   |   |   |   |   |   |            |   |   |   |   |   | L | 1 | G   |
| Flange 2" 300 lb RF, ASME B16.5/ Alloy C22 (2.4602) solid                                 |             |   |   |   |   |   |   |   |   |   |            |   |   |   |   |   | L | 1 | H   |
| Flange 2" 600 lb RF, ASME B16.5/ Alloy C22 (2.4602) solid                                 |             |   |   |   |   |   |   |   |   |   |            |   |   |   |   |   | L | 1 | J   |
| Flange 2" 1 500 lb RJF, ASME B16.5/ Alloy C22 (2.4602) solid                              |             |   |   |   |   |   |   |   |   |   |            |   |   |   |   |   | L | 1 | K   |
| Flange 3" 150 lb RF, ASME B16.5/ Alloy C22 (2.4602) solid                                 |             |   |   |   |   |   |   |   |   |   |            |   |   |   |   |   | L | 1 | L   |
| Flange 3" 300 lb RF, ASME B16.5/ Alloy C22 (2.4602) solid                                 |             |   |   |   |   |   |   |   |   |   |            |   |   |   |   |   | L | 1 | M   |
| Flange 3" 300 lb RF, ASME B16.5/316L with Alloy C22 (2.4602) coating                      |             |   |   |   |   |   |   |   |   |   |            |   |   |   |   |   | L | 1 | N   |
| Flange 4" 150 lb RF, ASME B16.5/ Alloy C22 (2.4602) solid                                 |             |   |   |   |   |   |   |   |   |   |            |   |   |   |   |   | L | 1 | P   |
| Flange 4" 150 lb FF, ASME B16.5/ Alloy C22 (2.4602) solid                                 |             |   |   |   |   |   |   |   |   |   |            |   |   |   |   |   | L | 1 | Q   |
| Flange 4" 300 lb RF, ASME B16.5/ Alloy C22 (2.4602) solid                                 |             |   |   |   |   |   |   |   |   |   |            |   |   |   |   |   | L | 1 | R   |
| Flange 4" 300 lb RJF, ASME B16.5/ Alloy C22 (2.4602) solid                                |             |   |   |   |   |   |   |   |   |   |            |   |   |   |   |   | L | 1 | S   |
| Flange 4" 300 lb LT, ASME B16.5/ Alloy C22 (2.4602) solid                                 |             |   |   |   |   |   |   |   |   |   |            |   |   |   |   |   | L | 1 | T   |
| Flange 4" 600 lb RJF, ASME B16.5/ Alloy C22 (2.4602) solid                                |             |   |   |   |   |   |   |   |   |   |            |   |   |   |   |   | L | 1 | U   |
| Flange 6" 150 lb RF, ASME B16.5/ Alloy C22 (2.4602) solid                                 |             |   |   |   |   |   |   |   |   |   |            |   |   |   |   |   | L | 1 | V   |
| Flange 2 1/2" 600 lb RF, Masoneilan/ Alloy C22 (2.4602) solid                             |             |   |   |   |   |   |   |   |   |   |            |   |   |   |   |   | L | 1 | W   |
| Flange 2" 600 lb RF, ASME B16.5/316/316 L <sup>24)</sup>                                  |             |   |   |   |   |   |   |   |   |   |            |   |   |   |   |   | L | 1 | X   |
| Flange 3" 600 lb RF, ASME B16.5/316/316 L <sup>24)25)</sup>                               |             |   |   |   |   |   |   |   |   |   |            |   |   |   |   |   | L | 1 | Y   |
| Flange 4" 600 lb RF, ASME B16.5/316/316 L <sup>31)</sup>                                  |             |   |   |   |   |   |   |   |   |   |            |   |   |   |   |   | L | 2 | A   |
| Thread R1 1/2" PN40, EN 10226-1/316 L <sup>38)</sup>                                      |             |   |   |   |   |   |   |   |   |   |            |   |   |   |   |   | L | 2 | B   |
| Flange NPS 2" Class 1500 RF, ASME B16.5 / 316/316 L <sup>39)</sup>                        |             |   |   |   |   |   |   |   |   |   |            |   |   |   |   |   | L | 2 | C   |
| <b>Electronics</b>  |             |   |   |   |   |   |   |   |   |   |            |   |   |   |   |   |   |   |     |
| Two-wire 4 ... 20 mA/HART   |             |   |   |   |   |   |   |   |   |   |            |   |   |   |   |   |   |   | 0   |
| Four-wire Modbus <sup>2)8)11)</sup>   |             |   |   |   |   |   |   |   |   |   |            |   |   |   |   |   |   |   | 1   |
| Two-wire 4 ... 20 mA/HART with SIL qualification <sup>9)10)</sup>                         |             |   |   |   |   |   |   |   |   |   |            |   |   |   |   |   |   |   | 2   |
| Four-wire 4 ... 20 mA/HART; 90 ... 253 V AC; 50/60Hz <sup>2)8)11)34)</sup>                |             |   |   |   |   |   |   |   |   |   |            |   |   |   |   |   |   |   | 3   |
| Four-wire 4 ... 20 mA/HART; 9.6 ... 48 V DC; 20 ... 42 V AC <sup>2)8)11)34)</sup>         |             |   |   |   |   |   |   |   |   |   |            |   |   |   |   |   |   |   | 4   |
| PROFIBUS PA <sup>5)8)</sup>   |             |   |   |   |   |   |   |   |   |   |            |   |   |   |   |   |   |   | 5   |
| FOUNDATION Fieldbus <sup>5)8)</sup>   |             |   |   |   |   |   |   |   |   |   |            |   |   |   |   |   |   |   | 6   |
| <b>Seal/Second line of defense/Process temperature</b>                                    |             |   |   |   |   |   |   |   |   |   |            |   |   |   |   |   |   |   |     |
| FKM (SHS FPM 70C3 GLT)/without glass seal/-40 ... +80 °C (-40 ... +176 °F)                |             |   |   |   |   |   |   |   |   |   |            |   |   |   |   |   |   |   | A   |
| FKM (SHS FPM 70C3 GLT)/without glass seal/-40 ... +150 °C (-40 ... +302 °F)               |             |   |   |   |   |   |   |   |   |   |            |   |   |   |   |   |   |   | B   |

## SITRANS LG series

## Selection and ordering data (continued)

|   | Article No.                    | Order Code |       |
|---|--------------------------------|------------|-------|
| <b>SITRANS LG250 Guided radar level transmitter</b><br><b>Continuous, contact, 75 m (246 ft) range. Monitors level and interface in liquids.</b>                        | 7ML5881- ● ● ● ● ● - ● ● ● ● ● | ● ● ●      |       |
| FFKM (SHS FPM 70C3 GLT)/with glass seal/-40 ... +150 °C (-40 ... +302 °F) <sup>26)</sup>  |                                | C          |       |
| FFKM (Kalrez 6375)/without/-20 ... 150 °C (-4 ... +302 °F)  |                                | D          |       |
| FFKM (Kalrez 6375)/with/-20 ... +150 °C (-4 ... +302 °F) <sup>5)</sup>  |                                | E          |       |
| FFKM (Kalrez 6375)/with glass seal/-20 ... +200 °C (-4 ... +392 °F) <sup>26)</sup>  |                                | F          |       |
| EPDM (A+P 75.5/KW75F)/without glass seal/ -40 ... +80 °C (-40 ... +176 °F)  |                                | G          |       |
| EPDM (A+P 75.5/KW75F)/without glass seal/ -40 ... +150 °C (-40 ... +302 °F) <sup>26)</sup>  |                                | H          |       |
| EPDM (A+P 75.5/KW75F)/with glass seal/-40 ... +150 °C (-40 ... +302 °F) <sup>26)</sup>  |                                | J          |       |
| Silicone FEP coated (A+P FEP-O-SEAL)/without glass seal/-40 ... +80 °C (-40 ... +176 °F)  |                                | K          |       |
| Silicone FEP coated (A+P FEP-O-SEAL)/without glass seal/-40 ... +150 °C (-40 ... +302 °F)   |                                | L          |       |
| Silicone FEP coated (A+P FEP-O-SEAL)/with glass seal/-40 ... +150 °C (-40 ... +302 °F) <sup>26)</sup>   |                                | M          |       |
| With borosilicate glass lead through for volatile substances, e.g. ammonia/with glass seal/-60 ... +150 °C (-76 ... +302 °F) <sup>26)</sup>                             |                                | N          |       |
| FFKM (Kalrez 6375)/without glass seal/-20 ... +200 °C (-4 ... +392 °F)  |                                | P          |       |
| FFKM (SHS FPM 70C3 GLT)/with glass seal/-40 ... 80 °C (-40 ... +176 °F) <sup>26)</sup>  |                                | Q          |       |
| FFKM (Kalrez 6375)/without/-10 ... +150 °C  |                                | R          |       |
| FFKM (Kalrez 6375)/without/-10 ... +200 °C  |                                | S          |       |
| FFKM (Kalrez 6375)/with/-10 ... +150 °C   |                                | T          |       |
| FFKM (Kalrez 6375)/with/-10 ... +200 °C   |                                | U          |       |
| <b>Housing/Protection/Cable</b>   |                                |            |       |
| Note: for installation of remote display, 7ML5840, with LG two chamber housing options, contact PVC   |                                |            |       |
| Plastic IP66/IP67 M20 x 1.5/blind stopper <sup>1)15)</sup>  |                                | A          |       |
| Plastic IP66/IP67 1/2" NPT/blind stopper <sup>8)11)</sup>   |                                | B          |       |
| Plastic 2-chamber/IP66/IP67/M20 x 1.5/blind stopper   |                                | G          |       |
| Plastic 2-chamber/IP66/IP67 /1/2" NPT/blind stopper   |                                | H          |       |
| Aluminum/IP66/IP68 (0.2 bar) M20 x 1.5/ Blind stopper <sup>8)11)</sup>  |                                | C          |       |
| Aluminum/IP66/IP68 (0.2 bar) 1/2" NPT/Blind stopper <sup>8)11)</sup>  |                                | D          |       |
| Aluminum double chamber/IP66/IP68 (0.2 bar) M20 x 1.5 / Blind stopper   |                                | E          |       |
| Aluminum double chamber/IP66/IP68 (0.2 bar) 1/2" NPT/Blind stopper  |                                | F          |       |
| Stainless Steel (precision casting) 316L/ IP66/IP68 (0.2 bar) M20 x 1.5/Blind stopper <sup>9)11)</sup>  |                                | L          |       |
| Stainless Steel (precision casting) 316L/ IP66/IP68 (0.2 bar) 1/2" NPT/Blind stopper <sup>8)11)</sup>   |                                | M          |       |
| Stainless Steel (electropolished) 316L/IP66/IP68 (0.2 bar) M20 x 1.5/Blind stopper <sup>8)11)</sup>   |                                | N          |       |
| Stainless Steel (electropolished) 316L/IP66/IP68 (0.2 bar) 1/2" NPT/Blind stopper <sup>8)11)</sup>  |                                | P          |       |
| Stainless Steel double chamber/IP66/IP68 (0.2 bar) M20 x 1.5/Blind stopper  |                                | Q          |       |
| Stainless Steel double chamber/IP66/IP68 (0.2 bar) 1/2" NPT/Blind stopper   |                                | R          |       |
| Aluminum/IP66/IP68 (0.2 bar) M20 x 1.5/ Cable gland stainless steel <sup>8)11)</sup>  |                                | S          |       |
| Aluminum double chamber/IP66/IP68 (0.2 bar) M20 x 1.5/Cable gland stainless steel   |                                | T          |       |
| Stainless Steel (precision casting) 316L/ IP66/IP68 (0.2 bar) M20 x 1.5/Cable gland stainless steel <sup>1)28)</sup>  |                                | U          |       |
| Stainless Steel (electropolished) 316L/IP66/IP68 (0.2 bar) M20 x 1.5/Cable gland stainless steel <sup>1)28)</sup>   |                                | V          |       |
| Stainless steel single chamber (precision casting)/IP66/IP68 (0.2 bar) M20 x 1.5/ Cable gland brass nickel-plated   |                                | W          |       |
| Aluminum single chamber/IP66/IP68 (0.2 bar) M20 x 1.5/Cable gland brass nickel-plated   |                                | X          |       |
| Stainless steel single chamber (precision casting)/IP66/ IP68 (0.2 bar) M20 x 1.5/ Cable gland brass nickel-plated  |                                | Y          |       |
| Stainless steel double chamber / IP66/ IP68 (0.2 bar) M20 x 1.5 / Cable gland brass nickel-plated   |                                | J          |       |
| Aluminum single chamber/IP66/IP68 (0.2 bar) with M20 x 1.5/Plug connector Harting HAN 7D (straight)   |                                | Z          | Q 1 A |
| Aluminum single chamber/IP66/IP68 (0.2 bar) with M20 x 1.5/Special HARTING plug (bent) according to Tier One (ZB7555)   |                                | Z          | Q 1 B |
| Remote stainless steel single chamber housing, electropolished/IP66/IP67 with cable outlet IP68 (electronics separated by cable); M20 x 1.5/blind plug <sup>1)27)</sup> |                                | Z          | Q 2 A |
| Remote plastic single chamber housing /IP66/IP67 with cable outlet IP68 (electronics separated by cable); M20 x 1.5/blind plug <sup>1)27)</sup>                         |                                | Z          | Q 2 B |

## Selection and ordering data (continued)

|   | Article No. |   |   |   | Order Code |   |   |       |
|---|-------------|---|---|---|------------|---|---|-------|
|   | 7           | M | L | 5 | 8          | 8 | 1 |       |
| <b>SITRANS LG250 Guided radar level transmitter</b>                                       |             |   |   |   |            |   |   |       |
| <b>Continuous, contact, 75 m (246 ft) range. Monitors level and interface in liquids.</b> |             |   |   |   |            |   |   |       |
| <b>Lengths</b>  |             |   |   |   |            |   |   |       |
| <b><u>Rod ø 8 mm/316L</u></b>   |             |   |   |   |            |   |   |       |
| 300 ... 1 000 mm (11.81 ... 39.37 inch) <sup>29)</sup>                                    |             |   |   |   |            |   | 0 |       |
| 1 001 ... 2 000 mm (39.41 ... 78.74 inch) <sup>29)</sup>                                  |             |   |   |   |            |   | 1 |       |
| 2 001 ... 3 000 mm (78.78 ... 118.11 inch) <sup>29)</sup>                                 |             |   |   |   |            |   | 2 |       |
| 3 001 ... 4 000 mm (118.15 ... 157.48 inch) <sup>29)</sup>                                |             |   |   |   |            |   | 3 |       |
| 4 001 ... 5 000 mm (157.52 ... 196.85 inch) <sup>29)</sup>                                |             |   |   |   |            |   | 4 |       |
| 5 001 ... 6 000 mm (196.89 ... 236.22 inch) <sup>29)</sup>                                |             |   |   |   |            |   | 5 |       |
| <b><u>Rod ø 8 mm/Duplex</u></b>   |             |   |   |   |            |   |   |       |
| 300 ... 1 000 mm (11.81 ... 39.37 inch) <sup>29)</sup>                                    |             |   |   |   |            |   | 9 | R 1 A |
| 1 001 ... 2 000 mm (39.41 ... 78.74 inch) <sup>29)</sup>                                  |             |   |   |   |            |   | 9 | R 1 B |
| 2 001 ... 3 000 mm (78.78 ... 118.11 inch) <sup>29)</sup>                                 |             |   |   |   |            |   | 9 | R 1 C |
| 3 001 ... 4 000 mm (118.15 ... 157.48 inch) <sup>29)</sup>                                |             |   |   |   |            |   | 9 | R 1 D |
| 4 001 ... 5 000 mm (157.52 ... 196.85 inch) <sup>29)</sup>                                |             |   |   |   |            |   | 9 | R 1 E |
| 5 001 ... 6 000 mm (196.89 ... 236.22 inch) <sup>29)</sup>                                |             |   |   |   |            |   | 9 | R 1 F |
| <b><u>Rod ø 8 mm or ø 12 mm /Alloy C22 and 400</u></b>                                    |             |   |   |   |            |   |   |       |
| 300 ... 1 000 mm (11.81 ... 39.37 inch) <sup>29)</sup>                                    |             |   |   |   |            |   | 9 | R 1 J |
| 1 001 ... 2 000 mm (39.41 ... 78.74 inch) <sup>29)</sup>                                  |             |   |   |   |            |   | 9 | R 1 K |
| 2 001 ... 3 000 mm (78.78 ... 118.11 inch) <sup>29)</sup>                                 |             |   |   |   |            |   | 9 | R 1 L |
| 3 001 ... 4 000 mm (118.15 ... 157.48 inch) <sup>29)</sup>                                |             |   |   |   |            |   | 9 | R 1 M |
| 4 001 ... 5 000 mm (157.52 ... 196.85 inch) <sup>29)</sup>                                |             |   |   |   |            |   | 9 | R 1 N |
| 5 001 ... 6 000 mm (196.89 ... 236.22 inch) <sup>29)</sup>                                |             |   |   |   |            |   | 9 | R 1 P |
| <b><u>Rod ø 12 mm/316L</u></b>  |             |   |   |   |            |   |   |       |
| 300 ... 1 000 mm (11.81 ... 39.37 inch) <sup>29)</sup>                                    |             |   |   |   |            |   | 9 | R 2 A |
| 1 001 ... 2 000 mm (39.41 ... 78.74 inch) <sup>29)</sup>                                  |             |   |   |   |            |   | 9 | R 2 B |
| 2 001 ... 3 000 mm (78.78 ... 118.11 inch) <sup>29)</sup>                                 |             |   |   |   |            |   | 9 | R 2 C |
| 3 001 ... 4 000 mm (118.15 ... 157.48 inch) <sup>29)</sup>                                |             |   |   |   |            |   | 9 | R 2 D |
| <b><u>Cable lengths ø 2 or 4 mm/316L</u></b>  |             |   |   |   |            |   |   |       |
| 501 ... 1 000 mm (19.72 ... 39.37 inch)   |             |   |   |   |            |   | 9 | R 2 E |
| 1 000 ... 5 000 mm (39.37 ... 196.85 inch)  |             |   |   |   |            |   | 9 | R 2 F |
| 5 001 ... 10 000 mm (196.89 ... 393.70 inch)  |             |   |   |   |            |   | 9 | R 2 G |
| 10 001 ... 15 000 mm (393.74 ... 590.55 inch)   |             |   |   |   |            |   | 9 | R 2 H |
| 15 001 ... 20 000 mm (590.59 ... 787.40 inch)   |             |   |   |   |            |   | 9 | R 2 J |
| 20 001 ... 25 000 mm (787.44 ... 984.25 inch)   |             |   |   |   |            |   | 9 | R 2 K |
| 25 001 ... 30 000 mm (984.29 ... 1 181.10 inch)   |             |   |   |   |            |   | 9 | R 2 L |
| 30 001 ... 35 000 mm (1 181.14 ... 1 377.95 inch)   |             |   |   |   |            |   | 9 | R 2 M |
| 35 001 ... 40 000 mm (1 377.99 ... 1 574.80 inch)   |             |   |   |   |            |   | 9 | R 2 N |
| 40 001 ... 45 000 mm (1 574.84 ... 1 771.65 inch)   |             |   |   |   |            |   | 9 | R 2 P |
| 45 001 ... 50 000 mm (1 771.69 ... 1 968.50 inch)   |             |   |   |   |            |   | 9 | R 2 Q |
| 50 001 ... 55 000 mm (1 968.54 ... 2 165.35 inch)   |             |   |   |   |            |   | 9 | R 2 R |
| 55 001 ... 60 000 mm (2 165.39 ... 2 362.20 inch)   |             |   |   |   |            |   | 9 | R 2 S |
| 60 001 ... 65 000 mm (2 362.24 ... 2 559.06 inch)   |             |   |   |   |            |   | 9 | R 2 T |
| 65 001 ... 70 000 mm (2 559.09 ... 2 755.91 inch)   |             |   |   |   |            |   | 9 | R 2 U |
| 70 001 ... 75 000 mm (2 755.94 ... 2 952.76 inch)   |             |   |   |   |            |   | 9 | R 2 V |
| <b><u>Cable Lengths ø 2 mm or ø 4 mm/Alloy C22</u></b>                                    |             |   |   |   |            |   |   |       |
| 501 ... 1 000 mm (19.72 ... 39.37 inch)   |             |   |   |   |            |   | 9 | R 4 A |
| 1 001 ... 5 000 mm (39.41 ... 196.85 inch)  |             |   |   |   |            |   | 9 | R 4 B |
| 5 001 ... 10 000 mm (196.89 ... 393.70 inch)  |             |   |   |   |            |   | 9 | R 4 C |
| 10 001 ... 15 000 mm (393.74 ... 590.55 inch)   |             |   |   |   |            |   | 9 | R 4 D |
| 15 001 ... 20 000 mm (590.59 ... 787.40 inch)   |             |   |   |   |            |   | 9 | R 4 E |
| 20 001 ... 25 000 mm (787.44 ... 984.25 inch)   |             |   |   |   |            |   | 9 | R 4 F |

## SITRANS LG series

## Selection and ordering data (continued)

|  | Article No.                  | Order Code |     |   |
|--|------------------------------|------------|-----|---|
| <b>SITRANS LG250 Guided radar level transmitter</b><br><b>Continuous, contact, 75 m (246 ft) range. Monitors level and interface in liquids.</b> | 7ML5881- ● ● ● ● ● - ● ● ● ● | ●          | ●   | ● |
| 25 001 ... 30 000 mm<br>(984.29 ... 1 181.10 inch)   |                              | 9          | R 4 | G |
| 30 001 ... 35 000 mm<br>(1 181.14 ... 1 377.95 inch)   |                              | 9          | R 4 | H |
| 35 001 ... 40 000 mm<br>(1 377.99 ... 1 574.80 inch)   |                              | 9          | R 4 | J |
| 40 001 ... 45 000 mm<br>(1 574.84 ... 1 771.65 inch)   |                              | 9          | R 4 | K |
| 45 001 ... 50 000 mm<br>(1 771.69 ... 1 968.50 inch)   |                              | 9          | R 4 | L |
| 50 001 ... 55 000 mm<br>(1 968.54 ... 2 165.35 inch)   |                              | 9          | R 4 | M |
| 55 001 ... 60 000 mm<br>(2 165.39 ... 2 362.20 inch)   |                              | 9          | R 4 | N |
| 60 001 ... 65 000 mm<br>(2 362.24 ... 2 559.06 inch)   |                              | 9          | R 4 | P |
| 65 001 ... 70 000 mm<br>(2 559.09 ... 2 755.91 inch)   |                              | 9          | R 4 | Q |
| 70 001 ... 75 000 mm<br>(2 755.94 ... 2 952.76 inch)   |                              | 9          | R 4 | R |
| <b>Coax ø 21.3 mm/316L</b>   |                              |            |     |   |
| 300 ... 1 000 mm (11.81 ... 39.37 inch) <sup>29)</sup>   |                              | 9          | R 3 | A |
| 1 001 ... 2 000 mm (39.41 ... 78.74 inch) <sup>29)</sup>   |                              | 9          | R 3 | B |
| 2 001 ... 3 000 mm (78.78 ... 118.11 inch) <sup>29)</sup>  |                              | 9          | R 3 | C |
| 3 001 ... 4 000 mm (118.15 ... 157.48 inch) <sup>29)</sup>   |                              | 9          | R 3 | D |
| 4 001 ... 5 000 mm (157.52 ... 196.85 inch) <sup>29)</sup>   |                              | 9          | R 3 | E |
| 5 001 ... 6 000 mm (196.89 ... 236.22 inch) <sup>29)</sup>   |                              | 9          | R 3 | F |
| <b>Coax ø 21.3 mm/Alloy C22</b>  |                              |            |     |   |
| 300 ... 1 000 mm (11.81 ... 39.37 inch) <sup>29)</sup>   |                              | 9          | R 5 | A |
| 1 001 ... 2 000 mm (39.41 ... 78.74 inch) <sup>29)</sup>   |                              | 9          | R 5 | B |
| 2 001 ... 3 000 mm (78.78 ... 118.11 inch) <sup>29)</sup>  |                              | 9          | R 5 | C |
| 3 001 ... 4 000 mm (118.15 ... 157.48 inch) <sup>29)</sup>   |                              | 9          | R 5 | D |
| 4 001 ... 5 000 mm (157.52 ... 196.85 inch) <sup>29)</sup>   |                              | 9          | R 5 | E |
| 5 001 ... 6 000 mm (196.89 ... 236.22 inch) <sup>29)</sup>   |                              | 9          | R 5 | F |
| <b>Coax ø 42.2 mm/316L</b>   |                              |            |     |   |
| 300 ... 1 000 mm (11.81 ... 39.37 inch) <sup>29)</sup>   |                              | 9          | R 3 | G |
| 1 001 ... 2 000 mm (39.41 ... 78.74 inch) <sup>29)</sup>   |                              | 9          | R 3 | H |
| 2 001 ... 3 000 mm (78.78 ... 118.11 inch) <sup>29)</sup>  |                              | 9          | R 3 | J |
| 3 001 ... 4 000 mm (118.15 ... 157.48 inch) <sup>29)</sup>   |                              | 9          | R 3 | K |
| 4 001 ... 5 000 mm (157.52 ... 196.85 inch) <sup>29)</sup>   |                              | 9          | R 3 | L |
| 5 001 ... 6 000 mm (196.89 ... 236.22 inch) <sup>29)</sup>   |                              | 9          | R 3 | M |
| <b>Coax ø 42.2 mm/Alloy C22</b>  |                              |            |     |   |
| 300 ... 1 000 mm (11.81 ... 39.37 inch) <sup>29)</sup>   |                              | 9          | R 5 | G |
| 1 001 ... 2 000 mm (39.41 ... 78.74 inch) <sup>29)</sup>   |                              | 9          | R 5 | H |
| 2 001 ... 3 000 mm (78.78 ... 118.11 inch) <sup>29)</sup>  |                              | 9          | R 5 | J |
| 3 001 ... 4 000 mm (118.15 ... 157.48 inch) <sup>29)</sup>   |                              | 9          | R 5 | K |
| 4 001 ... 5 000 mm (157.52 ... 196.85 inch) <sup>29)</sup>   |                              | 9          | R 5 | L |
| 5 001 ... 6 000 mm (196.89 ... 236.22 inch) <sup>29)</sup>   |                              | 9          | R 5 | M |
| <b>Cable lengths ø 4 mm PFA</b>  |                              |            |     |   |
| 300 ... 1 000 mm (12 ... 39.37 inch)   |                              | 9          | R 6 | A |
| 1 001 ... 2 000 mm (39.41 ... 78.74 inch)  |                              | 9          | R 6 | B |
| 2 001 ... 5 000 mm (78.77 ... 196.85 inch)   |                              | 9          | R 6 | C |
| 5 001 ... 10 000 mm (196.89 ... 393.70 inch)   |                              | 9          | R 6 | D |
| 10 001 ... 15 000 mm (393.74 ... 590.55 inch)  |                              | 9          | R 6 | E |
| 15 001 ... 20 000 mm (590.59 ... 787.40 inch)  |                              | 9          | R 6 | F |
| 20 001 ... 25 000 mm (787.44 ... 984.25 inch)  |                              | 9          | R 6 | G |
| 25 001 ... 32 000 mm (984.29 ... 1 259.84 inch)  |                              | 9          | R 6 | H |

## Selection and ordering data (continued)

| Selection and Ordering data   | Order code |
|---|------------|
| <b>Further designs (mandatory)</b>  |            |
| Please add "-Z" to Article No. and specify Order code(s).                                       |            |
| <b>Supplementary electronics</b>  |            |
| Without   | A00        |
| Additional current output 4 ... 20 mA <sup>11)</sup>  | A01        |
| <b>Dimensions centering weight (diameter/height)</b>  |            |
| Without   | B00        |
| ø 40/30 mm  | B01        |
| ø 45/30 mm (for 2 inch tubes)   | B02        |
| ø 75/30 mm (for 3 inch tubes)   | B03        |
| ø 95/30 mm (for 4 inch tubes)   | B04        |
| ø 40 mm/30 mm   | B05        |
| ø 1.57/1.18 inch (for 2 inch Schedule 160)  |            |
| ø 45 mm/30 mm (for 2 inch tubes)  | B06        |
| ø 1.77/1.18 inch (for 2 inch Schedule 40/80)  |            |
| ø 75 mm/30 mm (for 3 inch tubes)  | B07        |
| ø 2.95/1.18 inch (for 3 inch Schedule 10/40)  |            |
| ø 95 mm/30 mm (for 4 inch tubes)  | B08        |
| ø 3.74/1.18 inch (for 4 inch Schedule 80)   |            |
| <b>Rod mounted</b>  |            |
| Without Rod, applicable for coax or cable probe types only                                      | C00        |
| Mounted   | C01        |
| Not mounted   | C02        |
| <b>Indicating/adjustment module</b>   |            |
| Without   | E00        |
| Mounted   | E01        |
| Laterally mounted   | E02        |
| <b>Language of display</b>  |            |
| German  | L00        |
| English   | L01        |
| French  | L02        |
| Dutch   | L03        |
| Italian   | L04        |
| Spanish   | L05        |
| Portuguese  | L06        |
| Russian   | L07        |
| Chinese   | L08        |
| Japanese  | L09        |
| No language pre-set   | L10        |
| <b>Operating instructions</b>   |            |
| German  | M00        |
| English   | M01        |
| French  | M02        |
| Spanish   | M03        |
| <b>Further designs (optional)</b>   |            |
| Please add "-Z" to Article No. and specify Order code(s).                                       |            |
| Enter the total insertion length in plain text description                                      | Y01        |
| Enter the total length of rigid part (cable version only) range from 100 ... 1 000 mm           | Y02        |
| Remote electronic cable lengths: 2 m (6.6 ft). Only available with Housing options Q2A and Q2B  | Y10        |
| Remote electronic cable lengths: 5 m (16.4 ft). Only available with Housing options Q2A and Q2B | Y11        |

| Selection and Ordering data   | Order code |
|---|------------|
| Remote electronic cable lengths: 10 m (32.8 ft). Only available with Housing options Q2A and Q2B  | Y12        |
| Identification Label (measurement loop) stainless steel, 40 characters max, add in plain text. To add more than one line use a coma ", " for line break.    | Y17        |
| Identification Label (measurement loop) foil, 40 characters max, add in plain text. To add more than one line use a coma ", " for line break.               | Y18        |
| Material Inspection certificate 3.1 of EN 10204   | C05        |
| 3.1-Inspection Certificate for instrument (EN 10204) <sup>30)</sup>   | C12        |
| Inspection certificate 3.1 (EN 10204, NACE MR 0175) - material <sup>30)31)</sup>  | D07        |
| Note: 316L probes include NACE MR 0175 and MR 0103, non 316L probes include MR 0175 only and plated flange designs are not available with NACE certificate. |            |
| 3.1-Inspection Certificate for instrument with test data (EN 10204) <sup>30)</sup>  | C25        |
| 2.2-Factory certificate for material (EN 10204) <sup>30)</sup>  | C15        |
| Quality and test plan <sup>30)</sup>  | C26        |
| Dye penetration test, results confirmed via a 3.1 certificate/instrument (EN10204) <sup>30)</sup>   | C13        |
| X-ray test + 3.1 certificate/instrument <sup>30)</sup>  | C14        |
| Positive material identification test + 3.1 certificate/instrument <sup>30)</sup>   | C16        |
| Roughness test + 3.1 certificate/instrument <sup>30)</sup>  | C18        |
| Pressure test + 3.1 certificate/instrument <sup>30)</sup>   | C31        |
| Helium leak test + 3.1 certificate/instrument <sup>30)</sup>  | C32        |
| Pressure test according to NORSOK + 3.1 certificate/instrument <sup>30)</sup>   | C61        |
| 5 point calibration certificate (min. length 500 mm) <sup>30)</sup>   | C62        |
| Pressure test (acc. to ASME B31.1), incl. 3.1 Inspection certificate <sup>30)</sup>   | C63        |
| Certificate suitable for tropical regions with, all attachment parts of metal (2.1 factory certificate)   | C65        |

| Accessories   | Article No.   |
|---|---------------|
| <b>Operating Instructions</b>   |               |
| All literature is available to download for free, in a range of languages, at <a href="http://www.siemens.com/processinstrumentation/documentation">http://www.siemens.com/processinstrumentation/documentation</a> |               |
| <b>Accessories</b>  |               |
| SITRANS LG series/SITRANS RD150 sensor display module   | A5E34143449   |
| SITRANS LG, two-wire 4 ... 20 mA/HART electronic  | A5E35637821   |
| SITRANS LG, USB communicator  | A5E35192015   |
| SITRANS LG, Mounting eye M8 x 20  | A5E36653574   |
| SITRANS LG, Mounting eye M12 x 20   | PBD:51041448  |
| SITRANS LG, Mounting spring   | PBD:51041449  |
| Siemens Intrinsically Safe Barrier (DC powered), ATEX II 1 G EEx ia   | 7NG4124-0AA00 |
| SITRANS RD100, loop powered display -see Chapter 7  | 7ML5741-..... |
| SITRANS RD150, remote digital display for 4 ... 20 mA and HART devices - see Chapter 7  | 7ML5742-..... |
| SITRANS RD200, universal input display with Modbus conversion - see Chapter 7   | 7ML5740-..... |
| SITRANS RD300, dual line display with totalizer and linearization curve and Modbus conversion - see Chapter 7   | 7ML5744-..... |
| For applicable back up point level switch - see point level measurement section   |               |

## SITRANS LG series

## Selection and ordering data (continued)

Note: some configuration options are not available. For restriction information see the online PIA configuration tool.

- 1) Not available with Plastic and Stainless steel (electropolished) Housing/Protection/Cable options and certain glands.
- 2) Available only with Metallic, Double chamber Housing/Protection/Cable options and certain glands.
- 3) Not available with Remote or Stainless steel (electropolished) Housing/Protection/Cable options and certain glands.
- 4) Not available with Stainless steel (electropolished) Housing/Protection/Cable options and certain glands.
- 5) Not available with certain glands.
- 6) Not available with Version/Material option K, L, M, N, P, Q, R, S, T, and U.
- 7) Not available with Length options 3, 4, 5, R2C, and R2D.
- 8) Available only with Supplementary electronic option A00.
- 9) Not available with Seal/Second line of defense/Process temperature option N.
- 10) Not available with Housing/Protection/Cable option Q1B.
- 11) Not available with Indicating/adjustment module option E02.
- 12) Not available with Process fitting/Material options 00 and 01.
- 13) Available only with Electronic options 0 ... 4.
- 14) Available only with glass seal options.
- 15) Available only with Seal/Second line of defense/Process temperature options C, D, E, F, H, J, M, N, Q.
- 16) Not Available with Housing/Protection/Cable options W, X, Y, J, Q1A, and Q1B.
- 17) Not Available with Seal/Second line of defense/Process temperature option P.
- 18) Available only with Single chamber, Aluminum and Stainless steel (precision casting) Housing/Protection/Cable options.
- 19) Available only with Dimensions centering weight option B00.
- 20) Available only with Rod mounted option C00.
- 21) Not available with Dimensions centering weight option B00.
- 22) Available only with Seal/Second line of defense/Process temperature option N.
- 23) Not available with Version/Material options F, L, M, N, P, Q, R, S, and T.
- 24) Not available with Seal/Process temperature options A, G, K, N, and Q.
- 25) Available only with Version/Material options A ... K.
- 26) Not available with Remote Housing/Protection/Cable options.
- 27) Not available with some Seal/Process temperature options including glass.
- 28) Not available with Supplementary electronics options.
- 29) Not available with Y02.
- 30) Listed Certificates are not available with all configurations, please contact factory for more information.
- 31) Available only with 316L Probes. NACE is not available with coated, plated, or hygienic connections.
- 32) Available only with Housing/Protection/Cable options E, F, N, Q, R, T.
- 34) Available only with Double chamber, Plastic and Metallic Housing/Protection/Cable options and certain glands.
- 35) Available only with Approvals options OA (CE only) and 1D.
- 36) Available only with ø 4 mm PFA Length options.
- 37) Not available with Probe version/Material option P.
- 38) Available only with Probe version/Material options G and H.
- 39) Available only with Probe version/Material options A ... E and H.
- 40) FM and CSA approvals are not available with plastic housing enclosures.

Note: Please consult manual for further details.

| SITRANS LG260 Guided radar level transmitter<br>Continuous, contact, 60 m (197 ft) range. Monitors level in solids.                   | Article No.                    | Order Code |
|---|--------------------------------|------------|
|   | 7ML5882- ● ● ● ● ● - ● ● ● ● ● | ● ● ● ●    |
| Click on the Article No. for the online configuration in the PIA Life Cycle Portal.   |                                |            |
| <b>Approvals</b>  |                                |            |
| General purpose (CSA, FM, CE) <sup>(6)20)</sup>   | 0                              | A          |
| Shipping approval <sup>(4)5)7)8)9)</sup>  | 0                              | B          |
| Overfill protection (WHG; VLAREM) <sup>(5)8)</sup>  | 0                              | C          |
| ATEX II 1G, 1/2G, 2G Ex ia IIC T6 <sup>(5)8)</sup>  | 0                              | E          |
| ATEX II 1G, 1/2G, 2G Ex ia IIC + Overfill (WHG; VLAREM) <sup>(5)8)</sup>  | 0                              | F          |
| ATEX II 1G, 1/2G, 2G Ex ia IIC T6 + shipping approval <sup>(4)5)7)8)9)10)</sup>   | 0                              | G          |
| ATEX II 1G, 1/2G, 2G Ex ia IIC + II 1D, 1/2D, 1/3D, 2D IP66 <sup>(1)5)8)</sup>  | 0                              | H          |
| ATEX II 1/2G, 2G Ex d ia IIC T6 <sup>(2)5)8)9)10)</sup>   | 0                              | J          |
| ATEX II 1/2G, 2G Ex d ia IIC + shipping approval <sup>(2)5)7)8)9)10)</sup>  | 0                              | L          |
| ATEX II 1/2G, II 2G Ex db ia IIC T6 ... T1 Ga/Gb, Gb + II 1D, 1/2D, 1/3D, 2D Ext IIIC T* Da, Da/Db, Da/Dc, Db <sup>(2)5)8)9)10)</sup> | 0                              | M          |
| ATEX II 1/2G, 2G Ex d IIC T6 <sup>(1)8)10)11)</sup>   | 0                              | N          |
| ATEX II 1G, II 1/2G, II 2G Ex ia IIC T6...T1 Ga, Ga/Gb, Gb /IEC Ex ia IIC T6...T1 Ga, Ga/Gb, Gb <sup>(8)</sup>                        | 0                              | W          |
| ATEX II 1/2G, 2G Ex d IIC + shipping approval <sup>(1)7)8)9)10)11)</sup>  | 0                              | Q          |
| ATEX II 1/2G, 2G Ex d IIC + II 1D, 1/2D, 1/3D, 2D IP66 <sup>(1)8)10)11)</sup>   | 0                              | R          |
| ATEX II 1D, 1/2D, 2D IP6x T <sup>(1)8)11)</sup>   | 0                              | S          |
| IEC Ex ia IIC T6 <sup>(5)8)</sup>   | 0                              | T          |
| IEC Ex ia IIC T6...T1 Ga, Ga/Gb, Gb + Ex t IIIC T <sup>(1)8)11)</sup>   | 0                              | U          |
| IEC Ex d ia IIC T6 <sup>(2)5)8)9)10)</sup>  | 1                              | A          |
| IEC Ex d ia IIC T6 + IEC IP6x T tD <sup>(2)5)8)9)10)</sup>  | 1                              | B          |
| IEC Ex db IIC T6 ... T1 Ga/Gb, Gb <sup>(1)8)10)11)</sup>  | 1                              | C          |
| IEC Ex db IIC T6 ... T1 Ga/Gb, Gb + IEC Ex t IIIC T <sup>(8)10)11)19)</sup>   | 1                              | D          |
| FM (NI) Class I, Div. 2, Groups A, B, C, D <sup>(3)5)8)9)</sup>   | 1                              | F          |
| FM (NI) Class I, Div. 2, Groups A, B, C, D + Ship approval <sup>(3)5)7)8)9)10)</sup>  | 1                              | G          |
| FM (IS) Class I, II, III, Div. 1, Groups A, B, C, D, E, F <sup>(5)8)9)</sup>  | 1                              | H          |
| FM (IS) Class I, II, III, Div. 1, Groups A, B, C, D, E, F, G + shipping approval <sup>(4)5)7)8)9)10)</sup>                            | 1                              | J          |
| FM (XP-AIS) Class I, II, III, Div. 1, Groups A, B, C, D, E, F, G <sup>(2)5)8)9)10)</sup>  | 1                              | K          |



## Selection and ordering data (continued)

|  | Article No.                    | Order Code |
|--|--------------------------------|------------|
| <b>SITRANS LG260 Guided radar level transmitter</b><br><b>Continuous, contact, 60 m (197 ft) range. Monitors level in solids.</b>  | 7ML5882- ● ● ● ● ● - ● ● ● ● ● | ● ● ●      |
| FM (XP-AIS) Class I, II, III, Div. 1, Groups A, B, C, D, E, F, G + shipping approval <sup>(2)(5)(7)(8)(9)(10)</sup>                | 1                              | L          |
| FM (XP) Class I, Div. 1, Groups A, B, C, D <sup>(8)(10)(19)</sup>  | 1                              | M          |
| CSA (NI) Class I, Div. 2, Groups A, B, C, D; (DIP) Class II, III, Div. 1, Groups E, F, G <sup>(1)(5)(10)</sup>                     | 1                              | N          |
| CSA (IS) Class I, II, III, Div. 1, Groups A, B, C, D, E, F, G <sup>(5)(8)</sup>  | 1                              | P          |
| CSA (XP-IS) Class I, II, III, Div. 1, Groups A, B, C, D, E, F, G <sup>(2)(5)(8)(9)(10)</sup>                                       | 1                              | Q          |
| CSA (XP) Class I, II, III, Div. 1, Groups A, B, C, D, E, F, G <sup>(8)(9)(10)(11)(19)</sup>  | 1                              | R          |
| NEPSI Ex ia IIC T6 <sup>(5)(8)</sup>   | 2                              | A          |
| NEPSI Ex ia IIC T6 + DIP A20/21 TA T* <sup>(1)(5)(8)</sup>   | 2                              | B          |
| NERSI Ex d ia IIC T6 <sup>(2)(5)(8)(9)(10)</sup>   | 2                              | C          |
| NEPSI Ex d ia IIC T6 + DIP A20/21 TA T* <sup>(2)(5)(8)(9)(10)</sup>  | 2                              | D          |
| NEPSI Ex d IIC T6 <sup>(8)(10)(19)</sup>   | 2                              | E          |
| NEPSI Ex d IIC T6 + DIP A20/21 TA T* <sup>(8)(10)(19)</sup>  | 2                              | F          |
| NEPSI DIP A20/21 TA T* <sup>(1)(8)</sup>   | 2                              | G          |
| INMETRO Ex ia IIC T6 ... T10 <sup>(5)(8)</sup>   | 3                              | A          |
| INMETRO Ex t IIIC T* IP6X, Da, Da/Db, Da/Dc, Db + Ex ia IIC T6, Ga, Ga/Gb <sup>(1)(5)(8)(10)</sup>                                 | 3                              | B          |
| INMETRO Ex d ia IIC T6 ... T1 <sup>(2)(5)(8)(9)(10)</sup>  | 3                              | C          |
| INMETRO Ex t IIIC T* IP6X, Da, Da/Db, Da/Dc, Db + Ex d ia IIC T6 Ga/Gb <sup>(2)(5)(8)(9)(10)</sup>                                 | 3                              | D          |
| INMETRO Ex d IIC T6 ... T1 <sup>(8)(10)(19)</sup>  | 3                              | E          |
| INMETRO Ex t IIIC T* IP6X, Da, Da/Db, Da/Dc, Db + Ex d IIC T6 Ga/Gb <sup>(8)(10)(19)</sup>   | 3                              | F          |
| INMETRO Ex t IIIC T* IP6X, Da, Da/Db, Da/Dc, Db <sup>(1)(5)(8)(10)</sup>   | 3                              | G          |
| KOSHA Ex d IIC T6 ... T1 – KE <sup>(8)(10)(19)</sup>   | 4                              | A          |
| Korea KC ex free area <sup>(8)</sup>   | 6                              | A          |
| GOST-R/EAC 0 Ex ia IIC T1 ... T6 X <sup>(8)</sup>  | 5                              | A          |
| GOST-R/EAC 0 Ex ia IIC T1 ... T6 X + Ex t IIIC T ... IP66 <sup>(1)(8)</sup>  | 5                              | B          |
| GOST-R/EAC 1 Ex d ia IIC T1 ... T6 X <sup>(2)(8)(9)(10)</sup>  | 5                              | C          |
| GOST-R/EAC 1 Ex d ia IIC T1 ... T6 X + Ex t IIIC T ... IP66 <sup>(2)(8)(9)(10)</sup>   | 5                              | D          |
| GOST-R/EAC 1 Ex d IIC T1 ... T6 X <sup>(8)(10)(19)</sup>   | 5                              | E          |
| GOST-R/EAC 0 Ex d IIC T1 ... T6 X + Ex t IIIC T ... IP66 <sup>(8)(10)(19)</sup>  | 5                              | F          |
| GOST-R/EAC Ex t IIIC T ... IP66 <sup>(1)(8)</sup>  | 5                              | G          |
| <b>Note: Version/Material, Process fitting/Material, and Length options are available only with options of corresponding type.</b> |                                |            |
| <b>Probe version/Material</b>  |                                |            |
| Probe exchangeable cable ø 4 mm (0.16 inch) with gravity weight/316 <sup>(13)(14)</sup>  |                                | A          |
| Probe exchangeable cable ø 6 mm (0.24 inch) with gravity weight/316 <sup>(13)(14)</sup>  |                                | B          |
| Probe exchangeable cable ø 6 mm (0.24 inch) with gravity weight/PA coated <sup>(1)(5)</sup>  |                                | C          |
| Probe exchangeable cable ø 11 mm (0.43 inch) with gravity weight/PA coated <sup>(1)(5)</sup>                                       |                                | D          |
| Probe exchangeable rod ø 16 mm (0.63 inch)/316L <sup>(13)</sup>  |                                | E          |
| <b>Process fitting/Material</b>  |                                |            |
| Thread G 3/4" (DIN 3852-A) PN 40/316L  |                                | 0 0        |
| Thread 3/4" NPT (ASME B1.20.1) PN 40/316L  |                                | 0 1        |
| Thread G 1" (DIN 3852-A) PN 40/316L  |                                | 0 2        |
| Thread 1" NPT (ASME B1.20.1) PN 40/316L  |                                | 0 3        |
| Thread G 1 1/2" (DIN 3852-A) PN 40/316L  |                                | 0 4        |
| Thread 1 1/2" NPT (ASME B1.20.1) PN 40/316L  |                                | 0 5        |
| Thread G 2" (DIN 3852-A) PN 40/316L  |                                | 0 6        |
| Flange DN 50 PN 40 Form C, DIN 2501/316L   |                                | 1 0        |
| Flange DN 80 PN 40 Form C, DIN 2501/316L   |                                | 1 2        |
| Flange DN 100 PN 16 Form C, DIN 2501/316L  |                                | 1 3        |
| Flange DN 100 PN 40 Form C, DIN 2501/316L  |                                | 1 4        |
| Flange DN 150 PN 16 Form C, DIN 2501/316L  |                                | 1 5        |
| Flange DN 50 PN 40 EN 1092-1 Form B1/316L  |                                | 1 6        |
| Flange DN 80 PN 40 EN 1092-1 Form B1/316L  |                                | 1 7        |



## Selection and ordering data (continued)

|   | Article No.                  | Order Code |   |   |   |
|---|------------------------------|------------|---|---|---|
| <b>SITRANS LG260 Guided radar level transmitter</b><br><b>Continuous, contact, 60 m (197 ft) range. Monitors level in solids.</b> | 7ML5882- ● ● ● ● ● - ● ● ● ● | ●          | ● | ● | ● |
| 501 ... 1 000 mm (19.72 ... 39.37 inch)   |                              | 1          |   |   |   |
| 1 001 ... 2 000 mm (39.41 ... 78.74 inch)   |                              | 2          |   |   |   |
| 2 001 ... 3 000 mm (78.78 ... 118.11 inch)  |                              | 3          |   |   |   |
| 3 001 ... 4 000 mm (118.15 ... 157.48 inch)   |                              | 4          |   |   |   |
| 4 001 ... 5 000 mm (157.52 ... 196.85 inch)   |                              | 5          |   |   |   |
| 5 001 ... 6 000 mm (196.89 ... 236.22 inch)   |                              | 6          |   |   |   |
| <b><u>Cable lengths ø 4 mm/316</u></b>  |                              |            |   |   |   |
| 501 ... 1 000 mm (19.72 ... 39.37 inch)   |                              | 9          | R | 2 | E |
| 1 001 ... 5 000 mm (39.41 ... 196.85 inch)  |                              | 9          | R | 2 | F |
| 5 001 ... 10 000 mm (196.89 ... 393.70 inch)  |                              | 9          | R | 2 | G |
| 10 001 ... 15 000 mm (393.74 ... 590.55 inch)   |                              | 9          | R | 2 | H |
| 15 001 ... 20 000 mm (590.59 ... 787.40 inch)   |                              | 9          | R | 2 | J |
| 20 001 ... 25 000 mm (787.44 ... 984.25 inch)   |                              | 9          | R | 2 | K |
| 25 001 ... 30 000 mm (984.29 ... 1 181.10 inch)   |                              | 9          | R | 2 | L |
| 30 001 ... 35 000 mm (1 181.14 ... 1 377.95 inch)   |                              | 9          | R | 2 | M |
| 35 001 ... 40 000 mm (1 377.99 ... 1 574.80 inch)   |                              | 9          | R | 2 | N |
| 40 001 ... 45 000 mm (1 574.84 ... 1 771.65 inch)   |                              | 9          | R | 2 | P |
| 45 001 ... 50 000 mm (1 771.69 ... 1 968.50 inch)   |                              | 9          | R | 2 | Q |
| 50 001 ... 55 000 mm (1 968.54 ... 2 165.35 inch)   |                              | 9          | R | 2 | R |
| 55 001 ... 60 000 mm (2 165.39 ... 2 362.20 inch)   |                              | 9          | R | 2 | S |
| <b><u>Cable lengths ø 6 mm/316L</u></b>   |                              |            |   |   |   |
| 500 mm (19.69 inch)   |                              | 9          | R | 4 | A |
| 501 ... 1 000 mm<br>(19.72 ... 39.37 inch)  |                              | 9          | R | 4 | B |
| 1 001 ... 5 000 mm<br>(39.41 ... 196.85 inch)   |                              | 9          | R | 4 | C |
| 5 001 ... 10 000 mm<br>(196.89 ... 393.70 inch)   |                              | 9          | R | 4 | D |
| 10 001 ... 15 000 mm<br>(393.74 ... 590.55 inch)  |                              | 9          | R | 4 | E |
| 15 001 ... 20 000 mm (590.59 ... 787.40 inch)   |                              | 9          | R | 4 | F |
| 20 001 ... 25 000 mm (787.44 ... 984.25 inch)   |                              | 9          | R | 4 | G |
| 25 001 ... 30 000 mm (984.29 ... 1 181.10 inch)   |                              | 9          | R | 4 | H |
| 30 001 ... 35 000 mm (1 181.14 ... 1 377.95 inch)   |                              | 9          | R | 4 | J |
| 35 001 ... 40 000 mm (1 377.99 ... 1 574.80 inch)   |                              | 9          | R | 4 | K |
| 40 001 ... 45 000 mm (1 574.84 ... 1 771.65 inch)   |                              | 9          | R | 4 | L |
| 45 001 ... 50 000 mm (1 771.69 ... 1 968.50 inch)   |                              | 9          | R | 4 | M |
| 50 001 ... 55 000 mm (1 968.54 ... 2 165.35 inch)   |                              | 9          | R | 4 | N |
| 55 001 ... 60 000 mm (2 165.39 ... 2 362.20 inch)   |                              | 9          | R | 4 | P |
| <b><u>Cable lengths ø 6 mm or ø 11 mm/PA coated</u></b>   |                              |            |   |   |   |
| 501 ... 1 000 mm<br>(19.72 ... 39.37 inch)  |                              | 9          | R | 6 | A |
| 1 001 ... 5 000 mm<br>(39.41 ... 196.85 inch)   |                              | 9          | R | 6 | B |
| 5 001 ... 10 000 mm<br>(196.89 ... 393.70 inch)   |                              | 9          | R | 6 | C |
| 10 001 ... 15 000 mm<br>(393.74 ... 590.55 inch)  |                              | 9          | R | 6 | D |
| 15 001 ... 20 000 mm<br>(590.59 ... 787.40 inch)  |                              | 9          | R | 6 | E |
| 20 001 ... 25 000 mm<br>(787.44 ... 984.25 inch)  |                              | 9          | R | 6 | F |
| 25 001 ... 30 000 mm<br>(984.29 ... 1 181.10 inch)  |                              | 9          | R | 6 | G |
| 30 001 ... 35 000 mm<br>(1 181.14 ... 1 377.95 inch)  |                              | 9          | R | 6 | H |
| 35 001 ... 40 000 mm<br>(1 377.99 ... 1 574.80 inch)  |                              | 9          | R | 6 | J |

## SITRANS LG series

## Selection and ordering data (continued)

|  | Article No.                  | Order Code |
|--|------------------------------|------------|
| <b>SITRANS LG260 Guided radar level transmitter</b><br>Continuous, contact, 60 m (197 ft) range. Monitors level in solids. | 7ML5882- ● ● ● ● ● - ● ● ● ● | ● ● ●      |
| 40 001 ... 45 000 mm<br>(1 574.84 ... 1 771.65 inch)   |                              | 9 R 6 K    |
| 45 001 ... 50 000 mm<br>(1 771.69 ... 1 968.50 inch)   |                              | 9 R 6 L    |
| 50 001 ... 55 000 mm<br>(1 968.54 ... 2 165.35 inch)   |                              | 9 R 6 M    |
| 55 001 ... 65 000 mm<br>(2 165.39 ... 2 559.06 inch)   |                              | 9 R 6 N    |

| Selection and Ordering data                                | Order code |
|--|------------|
| <b>Further designs (mandatory)</b>                         |            |
| Please add "-Z" to Article No. and specify Order code(s).  |            |
| <b>Supplementary electronics</b>                           |            |
| Without  | A00        |
| Additional current output 4 ... 20 mA <sup>10)</sup>       | A01        |
| <b>Rod mounted</b>   |            |
| Without Rod, applicable for coax or cable probe types only | C00        |
| Mounted  | C01        |
| Not mounted  | C02        |
| <b>Indicating/adjustment module</b>                        |            |
| Without  | E00        |
| Mounted  | E01        |
| Laterally mounted  | E02        |
| <b>Language of display</b>                                 |            |
| German   | L00        |
| English  | L01        |
| French   | L02        |
| Dutch  | L03        |
| Italian  | L04        |
| Spanish  | L05        |
| Portuguese   | L06        |
| Russian  | L07        |
| Chinese  | L08        |
| Japanese   | L09        |
| No language pre-set  | L10        |
| <b>Operating instructions</b>                              |            |
| German   | M00        |
| English  | M01        |
| French   | M02        |
| Spanish  | M03        |

| Selection and Ordering data  | Order code |
|--|------------|
| <b>Further designs (optional)</b>  |            |
| Please add "-Z" to Article No. and specify Order code(s).  |            |
| Enter the total insertion length in plain text description   | Y01        |
| Remote electronic cable lengths: 2 m (6.6 ft).<br>Only available with Housing options Q2A and Q2B.   | Y10        |
| Remote electronic cable lengths: 5 m (16.4 ft).<br>Only available with Housing options Q2A and Q2B.  | Y11        |
| Remote electronic cable lengths: 10 m (32.8 ft).<br>Only available with Housing options Q2A and Q2B. | Y12        |

| Selection and Ordering data   | Order code |
|---|------------|
| Identification Label (measurement loop) stainless steel, 40 characters max, add in plain text. To add more than one line use a comma "," for line break.    | Y17        |
| Identification Label (measurement loop) foil, 40 characters max, add in plain text. To add more than one line use a comma "," for line break.               | Y18        |
| Material Inspection certificate 3.1 of EN 10204   | C05        |
| 3.1-Inspection Certificate for instrument (EN 10204) <sup>17)</sup>   | C12        |
| Inspection certificate 3.1 (EN 10204, NACE MR 0175) - material. <sup>17)18)</sup>   | D07        |
| Note: 316L probes include NACE MR 0175 and MR 0103, non 316L probes include MR 0175 only and plated flange designs are not available with NACE certificate. |            |
| 3.1-Inspection Certificate for instrument with test data (EN 10204) <sup>17)</sup>  | C25        |
| 2.2-Factory certificate for material (EN 10204) <sup>17)</sup>  | C15        |
| Quality and test plan <sup>17)</sup>  | C26        |
| Dye penetration test, results confirmed via a 3.1 certificate/instrument (EN10204) <sup>17)</sup>   | C13        |
| X-ray test + 3.1 certificate/instrument <sup>17)</sup>  | C14        |
| Positive material identification test + 3.1 certificate/instrument <sup>17)</sup>   | C16        |
| Roughness test + 3.1 certificate/instrument <sup>17)</sup>  | C18        |
| Pressure test + 3.1 certificate/instrument <sup>17)</sup>   | C31        |
| Helium leak test + 3.1 certificate/instrument <sup>17)</sup>  | C32        |
| Pressure test according to NORSOK + 3.1 certificate/instrument <sup>17)</sup>   | C61        |
| 5 point calibration certificate (min. length 500 mm) <sup>17)</sup>   | C62        |

| Accessories   | Article No.   |
|---|---------------|
| <b>Operating Instructions</b>   |               |
| All literature is available to download for free, in a range of languages, at <a href="http://www.siemens.com/processinstrumentation/documentation">http://www.siemens.com/processinstrumentation/documentation</a> |               |
| <b>Accessories</b>  |               |
| SITRANS LG series/SITRANS RD150 sensor display module   | A5E34143449   |
| SITRANS LG, two-wire 4 ... 20 mA/HART electronic  | A5E35637821   |
| SITRANS LG, USB communicator  | A5E35192015   |
| SITRANS LG, Mounting eye M12 x 20   | PBD:51041448  |
| SITRANS LG, Mounting spring   | PBD:51041449  |
| Siemens Intrinsically Safe Barrier (DC powered), ATEX II 1 G EEx ia   | 7NG4124-0AA00 |
| SITRANS RD100, loop powered display -see Chapter 7  | 7ML5741-..... |
| SITRANS RD150, remote digital display for 4 ... 20 mA and HART devices - see Chapter 7  | 7ML5742-..... |



## SITRANS LG series

## Selection and ordering data (continued)

|  | Article No.                    | Order Code |
|--|--------------------------------|------------|
| <b>SITRANS LG270 Guided radar level transmitter</b><br><b>Continuous, contact, 60 m (197 ft) range. Monitors level and</b><br><b>interface in liquids in extreme environments.</b> | 7ML5883- ● ● ● ● ● - ● ● ● ● ● | ● ● ●      |
| CSA (XP) Class I, II, III, Div. 1, Groups A, B, C, D, E, F, G <sup>(3)5)6)11)19)</sup>   | 1                              | R          |
| CSA (NI) Class I, II, III Div. 2, Groups A, B, C, D, F, G + Ship approval <sup>(2)3)6)7)9)</sup>   | 7                              | K          |
| CSA (IS) Class I, II, III, Div. 1, Groups A, B, C, D, E, F, G + Ship approval <sup>(2)6)9)12)</sup>  | 7                              | L          |
| CSA (XP-IS) Class I, II, III, Div. 1, Groups A, B, C, D, E, F, G + Ship approval <sup>(2)3)5)6)8)9)</sup>  | 7                              | M          |
| NEPSI Ex ia IIC T6 <sup>(2)3)</sup>  | 2                              | A          |
| NEPSI Ex ia IIC T6 + DIP A20/21 TA T* <sup>(2)5)7)</sup>   | 2                              | B          |
| NERSI Ex d ia IIC T6 <sup>(2)3)5)6)8)</sup>  | 2                              | C          |
| NEPSI Ex d ia IIC T6 +<br>DIP A20/21 TA T* <sup>(2)3)5)6)8)</sup>  | 2                              | D          |
| NEPSI Ex d IIC T6 <sup>(2)3)6)11)</sup>  | 2                              | E          |
| NEPSI Ex d IIC T6 +<br>DIP A20/21 TA T* <sup>(2)3)6)11)</sup>  | 2                              | F          |
| NEPSI DIP A20/21 TA T* <sup>(2)3)7)</sup>  | 2                              | G          |
| INMETRO Ex ia IIC T6 ... T1 <sup>(2)3)2)</sup>   | 3                              | A          |
| INMETRO Ex t IIIC T* IP6X, Da, Da/Db, Da/Dc, Db + Ex ia IIC T6, Ga, Ga/Gb <sup>(2)6)7)</sup>   | 3                              | B          |
| INMETRO Ex d ia IIC T6 ... T1 <sup>(2)5)6)8)3)2)</sup>   | 3                              | C          |
| INMETRO Ex t IIIC T* IP6X, Da, Da/Db, Da/Dc, Db + Ex d ia IIC T6 Ga/Gb <sup>(2)5)6)8)</sup>  | 3                              | D          |
| INMETRO Ex d IIC T6 ... T1 <sup>(2)6)11)3)2)</sup>   | 3                              | E          |
| INMETRO Ex t IIIC T* IP6X, Da, Da/Db, Da/Dc, Db + Ex d IIC T6 Ga/Gb <sup>(2)6)11)</sup>  | 3                              | F          |
| INMETRO Ex t IIIC T* IP6X, Da, Da/Db, Da/Dc, Db <sup>(2)6)7)</sup>   | 3                              | G          |
| KOSHA Ex d IIC T6 ... T1 – KE <sup>(2)3)6)11)</sup>  | 4                              | A          |
| Korea KC ex free area <sup>(2)3)2)</sup>   | 6                              | A          |
| GOST-R/EAC 0 Ex ia IIC T1 ... T6 X <sup>(2)13)</sup>   | 5                              | A          |
| GOST-R/EAC 0 Ex ia IIC T1 ... T6 X + Ex t IIIC T ... IP66 <sup>(2)7)</sup>   | 5                              | B          |
| GOST-R/EAC 1 Ex d ia IIC T1 ... T6 X <sup>(2)5)6)8)</sup>  | 5                              | C          |
| GOST-R/EAC 1 Ex d ia IIC T1 ... T6 X + Ex t IIIC T ... IP66 <sup>(2)5)6)8)</sup>   | 5                              | D          |
| GOST-R/EAC 1 Ex d IIC T1 ... T6 X <sup>(2)6)11)</sup>  | 5                              | E          |
| GOST-R/EAC 0 Ex d IIC T1 ... T6 X + Ex t IIIC T ... IP66 <sup>(2)6)11)</sup>   | 5                              | F          |
| GOST-R/EAC Ex t IIIC T ... IP66 <sup>(2)14)</sup>  | 5                              | G          |
| Note: Version/Material, Process fitting/Material, and Length options are available only with options of corresponding type.  |                                |            |
| <b>Version/Material</b>  |                                |            |
| Probe exchangeable cable ø 2 mm (0.08 inch) with gravity weight/316 <sup>(15)16)17)</sup>  |                                | A          |
| Probe exchangeable cable ø 2 mm (0.08 inch) center weight/316L <sup>(15)17)18)</sup>   |                                | B          |
| Probe exchangeable cable ø 4 mm (0.16 inch) with gravity weight/316L <sup>(15)16)17)</sup>   |                                | C          |
| Probe exchangeable cable ø 4 mm (0.16 inch) with center weight/316L <sup>(15)17)18)</sup>  |                                | D          |
| Probe exchangeable rod ø 16 mm (0.63 inch)/316L <sup>(16)19)20)</sup>  |                                | E          |
| Probe coax version ø 42.2 mm (1.66 inch) with multiple hole/316L <sup>(16)17)20)</sup>   |                                | F          |
| Probe coax version ø 42.2 mm (1.66 inch); multiple hole; reference distances/316L <sup>(16)17)20)21)26)</sup>  |                                | G          |
| Probe exchangeable cable ø 4 mm (0.16 inch) with gravity weight/Alloy C22 (2.4602) <sup>(22)30)</sup>  |                                | H          |
| Probe exchangeable rod ø 16 mm (0.63 inch)/Alloy C22 (2.4602) <sup>(22)30)</sup>   |                                | J          |
| Coax version ø 42.2 mm (1.66 inch) with multiple hole/Alloy C22 (2.4602) <sup>(22)30)</sup>  |                                | K          |
| Exchangeable rod, diameter 8 mm (0.32 inch)/316L <sup>(19)23)</sup>  |                                | L          |
| Coax ø 21.3 mm (0.838 inch) with multiple hole/316L <sup>(23)</sup>  |                                | M          |
| <b>Process fitting/Material</b>  |                                |            |
| Thread G 1 1/2" (DIN 3852-A) PN 400/316L <sup>(20)</sup>   | 0                              | 0          |
| Thread 1 1/2" NPT (ASME B1.20.1) PN 400/316L <sup>(20)</sup>   | 0                              | 1          |
| Thread G1 1/2" PN 400, DIN 3852-A/Alloy C22 (2.4602)   | 0                              | 2          |
| Thread 1 1/2" NPT PN 400, ASME B1.20.1/ Alloy C22 (2.4602)   | 0                              | 3          |
| Flange DN 50 PN 40 Form C, DIN 2501/ 316L with Alloy C22 (2.4602) coating  | 0                              | 4          |
| Flange DN 80 PN 40 Form C, DIN 2501/ 316L with Alloy C22 (2.4602) coating  | 0                              | 5          |
| Flange DN 100 PN 16 Form C, DIN 2501/ 316L with Alloy C22 (2.4602) coating   | 0                              | 6          |
| Flange DN 50 PN 40 Form B1, EN 1092-1/ 316L with Alloy C22 (2.4602) coating  | 0                              | 7          |
| Flange DN 50 PN 63 Form B1, EN 1092-1/ 316L with Alloy C22   | 0                              | 8          |
| Flange DN 50 PN 40 Form C, DIN 2501/316L   | 1                              | 0          |
| Flange DN 50 PN 40 form V13, DIN 2513/316L   | 1                              | 1          |

## Selection and ordering data (continued)

| SITRANS LG270 Guided radar level transmitter<br>Continuous, contact, 60 m (197 ft) range. Monitors level and<br>interface in liquids in extreme environments. | Article No.<br>7ML5883- ● ● ● ● ● - ● ● ● ● ● | Order Code<br>● ● ● |
|---|---|---------------------|
| Flange DN 65 PN 64 Form V13, DIN 2501/316L  |   | 1 2                 |
| Flange DN 80 PN 40 Form C, DIN 2501/316L  |   | 1 3                 |
| Flange DN 80 PN 40 Form V13, DIN 2501/316L  |   | 1 4                 |
| Flange DN 80 PN 100 Form L, DIN 2501/316L <sup>20)</sup>  |   | 1 5                 |
| Flange DN 100 PN 16 Form C, DIN 2501/316L   |   | 1 6                 |
| Flange DN 100 PN 16 Form V13, DIN 2501/316L   |   | 1 7                 |
| Flange DN 100 PN 40 Form C, DIN 2501/316L   |   | 1 8                 |
| Flange DN 100 PN 40 Form V13, DIN 2513/316L   |   | 2 0                 |
| Flange DN 150 PN 16 Form C, DIN 2501/316L   |   | 2 1                 |
| Flange DN 50 PN 40 EN 1092-1 Form B1/316L   |   | 2 2                 |
| Flange DN 100 PN 160 GOST 12815-80.7/316L <sup>20)</sup>  |   | 2 3                 |
| Flange 2" 150 lb RF, ASME B16.5/316L with Alloy C22 (2.4602) coating  |   | 2 4                 |
| Flange 2" 300 lb RF, ASME B16.5/316L with Alloy C22 (2.4602) coating  |   | 2 5                 |
| Flange 2" 600 lb RF, ASME B16.5/316L with Alloy C22 (2.4602) coating  |   | 2 6                 |
| Flange 3" 150 lb RF, ASME B16.5/316L with Alloy C22 (2.4602) coating  |   | 2 7                 |
| Flange 3" 300 lb RF, ASME B16.5/316L with Alloy C22 (2.4602) coating  |   | 2 8                 |
| Flange DN 80 PN 160 Form C, DIN 2501/316L <sup>20)</sup>  |   | 6 0                 |
| Flange DN 80 PN 250 Form L, DIN 2501/316L <sup>20)</sup>  |   | 6 1                 |
| Flange DN 50 PN 160, EN 1092-1 Form B1/316L <sup>20)</sup>  |   | 6 2                 |
| Flange DN 50 PN 160, EN 1092-1 Form B2/316L <sup>20)</sup>  |   | 6 3                 |
| Flange DN 50 PN 32, EN 1092-1 Form B1/316L <sup>20)</sup>   |   | 6 4                 |
| Flange DN 65 PN 250, EN 1092-1 Form B1/316L <sup>20)</sup>  |   | 6 5                 |
| Flange DN 100 PN 160, EN 1092-1 Form B2/316L <sup>20)</sup>   |   | 6 6                 |
| Flange DN 80 PN 63, EN 1092-1 Form B2/316L  |   | 6 7                 |
| Flange 4" 600 lb RF, ASME B16.5/ 316L with Alloy C22 (2.4602) coating   |   | 6 8                 |
| Flange 2" 150 lb RF, ASME B16.5/316L  |   | 3 0                 |
| Flange 2" 300 lb RF, ASME B16.5/316L  |   | 3 1                 |
| Flange 2" 600 lb RF, ASME B16.5/316L  |   | 3 2                 |
| Flange 2" 1 500 lb RF, ASME B16.5/316L  |   | 3 3                 |
| Flange 3" 150 lb RF, ASME B16.5/316L  |   | 3 4                 |
| Flange 3" 300 lb RF, ASME B16.5/316L  |   | 3 5                 |
| Flange 3" 600 lb RF, ASME B16.5/316L  |   | 3 6                 |
| Flange 3" 900 lb RF, ASME B16.5/316L  |   | 3 7                 |
| Flange 3" 2 500 lb RF, ASME B16.5/316L  |   | 3 8                 |
| Flange 3 1/2" 600 lb RF, ASME B16.5/316L  |   | 4 0                 |
| Flange 4" 150 lb RF, ASME B16.5/316L  |   | 4 1                 |
| Flange 4" 300 lb RF, ASME B16.5/316L  |   | 4 2                 |
| Flange 4" 600 lb RF, ASME B16.5/316L  |   | 4 3                 |
| Flange 6" 150 lb RF, ASME B16.5/316L  |   | 4 4                 |
| Flange 6" 300 lb RF, ASME B16.5/316L  |   | 4 5                 |
| Flange 6" 600 lb RF, ASME B16.5/316L  |   | 4 6                 |
| Flange 2" 150 lb Fisher special return/316L   |   | 4 7                 |
| Flange 3" 900 lb RJF, ASME B16.5/<br>Alloy C22 (2.4602)   |   | 4 8                 |
| Flange 2" 900 lb RF, ASME B16.5/316L  |   | 5 0                 |
| Flange 3" 1 500 lb RF, ASME B16.5/316L  |   | 5 1                 |
| Flange 4" 900 lb RF, ASME B16.5/316L  |   | 5 2                 |
| Flange 4" 1 500 lb RF, ASME B16.5/316L  |   | 5 3                 |
| Flange 4" 2 500 lb RJF, ASME B16.5/316L <sup>20)</sup>  |   | 5 4                 |
| Flange 4" 1500 lb RJF, ASME B16.5/316L <sup>20)</sup>   |   | 5 5                 |
| Flange 3" 600 lb RF, ASME B16.5/316L with Alloy C22 (2.4602) coating  |   | 5 6                 |
| Flange 4" 150 lb RF, ASME B16.5/316L with Alloy C22 (2.4602) coating  |   | 5 7                 |
| Flange 4" 300 lb RF, ASME B16.5/316L with Alloy C22 (2.4602) coating  |   | 5 8                 |
| Flange 6" 150 lb RF, ASME B16.5/316L with Alloy C22 (2.4602) coating  |   | 7 0                 |
| Flange DN 50 PN 40 Form C, DIN 2501/Alloy C22 (2.4602) solid  |   | 7 1                 |
| Flange DN 100 PN 16 Form C, DIN 2501/C22 solid  |   | 7 2                 |
| Flange DN 100 PN 40 Form N, DIN 2501/Alloy C22 (2.4602) solid   |   | 7 3                 |
| Flange DN 50 PN 40 Form B1, EN 1092-1/Alloy C22 (2.4602) solid  |   | 7 4                 |

## SITRANS LG series

## Selection and ordering data (continued)

|  | Article No.                    |   |   |   |   |   |   |   |   |   | Order Code |   |   |
|--|--------------------------------|---|---|---|---|---|---|---|---|---|------------|---|---|
|  | 7                              | M | L | 5 | 8 | 8 | 8 | 8 | 9 | 9 |            |   |   |
| <b>SITRANS LG270 Guided radar level transmitter</b><br><b>Continuous, contact, 60 m (197 ft) range. Monitors level and</b><br><b>interface in liquids in extreme environments.</b> | 7ML5883- ● ● ● ● ● - ● ● ● ● ● |   |   |   |   |   |   |   |   |   | ● ● ●      |   |   |
| Flange 2" 150 lb RF, ASME B16.5/Alloy C22 (2.4602) solid   | 7                              |   |   |   |   |   |   |   |   |   |            |   |   |
| Flange 2" 300 lb RF, ASME B16.5/Alloy C22 (2.4602) solid   | 7                              |   |   |   |   |   |   |   |   |   |            |   |   |
| Flange 2" 600 lb RF, ASME B16.5/<br>Alloy C22 (2.4602) solid   | 7                              |   |   |   |   |   |   |   |   |   |            |   |   |
| Flange 2" 900 lb Rf, ASME B16.5/<br>Alloy C22 (2.4602) solid   | 7                              |   |   |   |   |   |   |   |   |   |            |   |   |
| Flange 2" 1 500 lb Rf, ASME B16.5/<br>Alloy C22 (2.4602) solid   | 8                              |   |   |   |   |   |   |   |   |   |            |   |   |
| Flange 3" 150 lb RF, ASME B16.5/<br>Alloy C22 (2.4602) solid   | 8                              |   |   |   |   |   |   |   |   |   |            |   |   |
| Flange 3" 300 lb RF, ASME B16.5/<br>Alloy C22 (2.4602) solid   | 8                              |   |   |   |   |   |   |   |   |   |            |   |   |
| Flange 3" 600 lb RF, ASME B16.5/<br>Alloy C22 (2.4602) solid   | 8                              |   |   |   |   |   |   |   |   |   |            |   |   |
| Flange 4" 150 lb RF, ASME B16.5/<br>Alloy C22 (2.4602) solid   | 8                              |   |   |   |   |   |   |   |   |   |            |   |   |
| Flange 4" 300 lb RF, ASME B16.5/<br>Alloy C22 (2.4602) solid   | 8                              |   |   |   |   |   |   |   |   |   |            |   |   |
| Flange 3" 600 lb Rf for R31, ASME B16.5/ Alloy C22 (2.4602) solid  | 8                              |   |   |   |   |   |   |   |   |   |            |   |   |
| Flange 2" 2 500 lb Rf, ASME B16.5/<br>Alloy C22 (2.4602) solid   | 9                              |   |   |   |   |   |   |   |   |   | L          | 1 | A |
| Flange 3" 1 500 lb Rf, ASME B16.5/<br>Alloy C22 (2.4602) solid   | 9                              |   |   |   |   |   |   |   |   |   | L          | 1 | B |
| Flange 3" 2 500 lb Rf, ASME B16.5/<br>Alloy C22 (2.4602) solid   | 9                              |   |   |   |   |   |   |   |   |   | L          | 1 | C |
| Flange 4" 600 lb RF, ASME B16.5/<br>Alloy C22 (2.4602) solid   | 9                              |   |   |   |   |   |   |   |   |   | L          | 1 | D |
| Flange 4" 600 lb Rf, ASME B16.5/<br>Alloy C22 (2.4602) solid   | 9                              |   |   |   |   |   |   |   |   |   | L          | 1 | E |
| Flange 4" 900 lb RF, ASME B16.5/<br>Alloy C22 (2.4602) solid   | 9                              |   |   |   |   |   |   |   |   |   | L          | 1 | F |
| Flange 4" 900 lb Rf, ASME B16.5/<br>Alloy C22 (2.4602) massiv  | 9                              |   |   |   |   |   |   |   |   |   | L          | 1 | G |
| Flange 4" 1 500 lb Rf, ASME B16.5/<br>Alloy C22 (2.4602) solid   | 9                              |   |   |   |   |   |   |   |   |   | L          | 1 | H |
| Flange 4" 2 500 lb Rf, ASME B16.5/<br>Alloy C22 (2.4602) solid   | 9                              |   |   |   |   |   |   |   |   |   | L          | 1 | J |
| Flange 8" 300 lb RF, ASME B16.5/<br>Alloy C22 (2.4602) solid   | 9                              |   |   |   |   |   |   |   |   |   | L          | 1 | K |
| Flange 3½" 600 lb Fisher type 249B and 259B/Alloy C22 (2.4602) solid   | 9                              |   |   |   |   |   |   |   |   |   | L          | 1 | L |
| Flange 2½" 300 lb RF, ASME B16.5/316/316L  | 9                              |   |   |   |   |   |   |   |   |   | L          | 2 | A |
| Flange 2½" 600 lb RF, ASME B16.5/316/316L  | 9                              |   |   |   |   |   |   |   |   |   | L          | 2 | B |
| Flange DN 50 PN 40 Form D, EN 1092-1/316/316L <sup>24)</sup>   | 9                              |   |   |   |   |   |   |   |   |   | L          | 2 | C |
| Flange 2½" 1 500 lb RF, ASME B16.5/316/316L  | 9                              |   |   |   |   |   |   |   |   |   | L          | 2 | D |
| Flange 2" 600 lb RF, ASME B16.5/316L (NORSOK) <sup>34)35)</sup>  | 9                              |   |   |   |   |   |   |   |   |   | L          | 2 | E |
| Flange 3" 1500lb Rf, ASME B16.5 / 316/316L <sup>32)</sup>  | 9                              |   |   |   |   |   |   |   |   |   | L          | 2 | F |
| Thread G 1" (DIN 3852-A) PN 100/316L   | 9                              |   |   |   |   |   |   |   |   |   | L          | 3 | C |
| Thread 1" NPT, ASME B1.20.1/PN 100/316L  | 9                              |   |   |   |   |   |   |   |   |   | L          | 3 | D |
| Thread G 1½" (DIN 3852-A) PN 100/316L  | 9                              |   |   |   |   |   |   |   |   |   | L          | 3 | E |
| Thread 1½" NPT, ASME B1.20.1/PN 100/316L   | 9                              |   |   |   |   |   |   |   |   |   | L          | 3 | F |
| Thread 2" NPT, ASME B1.20.1/PN 100/316L  | 9                              |   |   |   |   |   |   |   |   |   | L          | 3 | G |
| Thread G ¾ PN100, DIN 3852-A/316L <sup>31)</sup>   | 9                              |   |   |   |   |   |   |   |   |   | L          | 3 | H |
| Thread ¾ NPT PN100, ASME B1.20.1/31 <sup>31)</sup>   | 9                              |   |   |   |   |   |   |   |   |   | L          | 3 | J |
| <b>Electronics</b>   |                                |   |   |   |   |   |   |   |   |   |            |   |   |
| Two-wire 4 ... 20 mA/HART  |                                |   |   |   |   |   |   |   |   |   |            |   | 0 |
| Four-wire Modbus <sup>5)6)8)</sup>   |                                |   |   |   |   |   |   |   |   |   |            |   | 1 |
| Two-wire 4 ... 20 mA/HART with SIL qualification <sup>5)</sup>   |                                |   |   |   |   |   |   |   |   |   |            |   | 2 |
| Four-wire 4 ... 20 mA/HART; 90 ... 253 V AC; 50/60 Hz <sup>5)6)8)</sup>  |                                |   |   |   |   |   |   |   |   |   |            |   | 3 |
| Four-wire 4 ... 20 mA/HART; 9.6 ... 48 V DC; 20 ... 42 V AC <sup>5)6)8)</sup>  |                                |   |   |   |   |   |   |   |   |   |            |   | 4 |
| PROFIBUS PA <sup>5)</sup>  |                                |   |   |   |   |   |   |   |   |   |            |   | 5 |
| FOUNDATION Fieldbus <sup>5)</sup>  |                                |   |   |   |   |   |   |   |   |   |            |   | 6 |



## Selection and ordering data (continued)

|  | Article No. |   |   |   |   |   | Order Code |   |   |   |   |   |   |   |   |   |
|--|-------------|---|---|---|---|---|------------|---|---|---|---|---|---|---|---|---|
| <b>SITRANS LG270 Guided radar level transmitter</b><br><b>Continuous, contact, 60 m (197 ft) range. Monitors level and</b><br><b>interface in liquids in extreme environments.</b> | 7           | M | L | 5 | 8 | 8 | -          | • | • | • | • | • | • |   |   |   |
| <b>Seal/Second line of defense/Process temperature</b>   |             |   |   |   |   |   |            |   |   |   |   |   |   |   |   |   |
| Ceramic-graphite/with glass seal/<br>-196 ... +280 °C (-321 ... +536 °F)   |             |   |   |   |   |   |            |   |   |   |   |   | A |   |   |   |
| Ceramic-graphite/with glass seal/<br>-196 ... +450 °C (-321 ... +842 °F)   |             |   |   |   |   |   |            |   |   |   |   |   | B |   |   |   |
| Ceramic-graphite/with glass seal/<br>-196 ... +400 °C (-321 ... +752 °F) <sup>21)</sup>  |             |   |   |   |   |   |            |   |   |   |   |   | C |   |   |   |
| PEEK-FFKM (Kalrez 6375) /with glass seal/<br>-20...+250 °C (-4 ... +482 °F) <sup>21)</sup>   |             |   |   |   |   |   |            |   |   |   |   |   | D |   |   |   |
| <b>Housing/Protection/Cable</b>  |             |   |   |   |   |   |            |   |   |   |   |   |   |   |   |   |
| Note: for installation of remote display, 7ML5840, with LG two chamber housing options,<br>contact PVC   |             |   |   |   |   |   |            |   |   |   |   |   |   |   |   |   |
| Plastic IP66/IP67 M20 x 1.5/blind stopper  |             |   |   |   |   |   |            |   |   |   |   |   | A |   |   |   |
| Plastic IP66/IP67 1/2" NPT/blind stopper   |             |   |   |   |   |   |            |   |   |   |   |   | B |   |   |   |
| Aluminum/IP66/IP68 (0.2 bar) M20 x 1.5/blind stopper   |             |   |   |   |   |   |            |   |   |   |   |   | C |   |   |   |
| Aluminum/IP66/IP68 (0.2 bar) 1/2" NPT/blind stopper  |             |   |   |   |   |   |            |   |   |   |   |   | D |   |   |   |
| Aluminum double chamber/IP66/IP68 (0.2 bar) M20 x 1.5/blind stopper  |             |   |   |   |   |   |            |   |   |   |   |   | E |   |   |   |
| Aluminum double chamber/IP66/IP68 (0.2 bar) 1/2" NPT/blind stopper   |             |   |   |   |   |   |            |   |   |   |   |   | F |   |   |   |
| Stainless steel (precision casting) 316L/IP66/IP68 (0.2 bar) M20 x 1.5/blind stopper   |             |   |   |   |   |   |            |   |   |   |   |   | L |   |   |   |
| Stainless steel (precision casting) 316L/IP66/IP68 (0.2 bar) 1/2" NPT/blind stopper  |             |   |   |   |   |   |            |   |   |   |   |   | M |   |   |   |
| Stainless steel (electropolished) 316L/IP66/IP68 (0.2 bar) M20 x 1.5/blind stopper   |             |   |   |   |   |   |            |   |   |   |   |   | N |   |   |   |
| Stainless steel (electropolished) 316L/IP66/IP68 (0.2 bar) 1/2" NPT/blind stopper  |             |   |   |   |   |   |            |   |   |   |   |   | P |   |   |   |
| Stainless steel double chamber/IP66/IP68 (0.2 bar) M20 x 1.5/blind stopper   |             |   |   |   |   |   |            |   |   |   |   |   | Q |   |   |   |
| Stainless steel double chamber/IP66/IP68 (0.2 bar) 1/2" NPT/blind stopper  |             |   |   |   |   |   |            |   |   |   |   |   | R |   |   |   |
| Aluminum/IP66/IP68 (0.2 bar) M20 x 1.5/cable gland stainless steel   |             |   |   |   |   |   |            |   |   |   |   |   | S |   |   |   |
| Aluminum double chamber/IP66/IP68 (0.2 bar) M20 x 1.5/cable gland stainless steel  |             |   |   |   |   |   |            |   |   |   |   |   | T |   |   |   |
| Stainless steel (precision casting) 316L/IP66/IP68 (0.2 bar) M20 x 1.5/cable gland<br>stainless steel  |             |   |   |   |   |   |            |   |   |   |   |   | U |   |   |   |
| Stainless steel (electropolished) 316L/IP66/IP68 (0.2 bar) M20 x 1.5/cable gland stainless<br>steel  |             |   |   |   |   |   |            |   |   |   |   |   | V |   |   |   |
| Aluminum single chamber/IP66/IP68 (0.2 bar) M20 x 1.5/cable gland brass nickel-plated  |             |   |   |   |   |   |            |   |   |   |   |   | W |   |   |   |
| Aluminum double chamber/IP66/IP68 (0.2 bar) M20 x 1.5/cable gland brass nickel-plated  |             |   |   |   |   |   |            |   |   |   |   |   | X |   |   |   |
| Stainless steel single chamber (precision casting)/IP66/IP68 (0.2 bar) M20 x 1.5/cable<br>gland brass nickel-plated  |             |   |   |   |   |   |            |   |   |   |   |   | Y |   |   |   |
| Stainless steel double chamber/IP66/IP68 (0.2 bar) M20 x 1.5/cable gland brass nickel-<br>plated   |             |   |   |   |   |   |            |   |   |   |   |   | J |   |   |   |
| Remote stainless steel single chamber housing, electropolished/IP66/IP67 with cable<br>outlet IP68 (electronics separated by cable); M20 x 1.5/blind plug <sup>6)</sup>            |             |   |   |   |   |   |            |   |   |   |   |   | Z | Q | 2 | A |
| Remote plastic single chamber housing /IP66/IP67 with cable outlet IP68 (electronics<br>separated by cable); M20 x 1.5/blind plug <sup>6)</sup>                                    |             |   |   |   |   |   |            |   |   |   |   |   | Z | Q | 2 | B |
| <b>Lengths</b>   |             |   |   |   |   |   |            |   |   |   |   |   |   |   |   |   |
| <b>Rod ø 16 mm/316L</b>  |             |   |   |   |   |   |            |   |   |   |   |   |   |   |   |   |
| 300 mm (11.81 inch) <sup>25)</sup>   |             |   |   |   |   |   |            |   |   |   |   |   | 0 |   |   |   |
| 500 mm (19.69 inch) <sup>25)</sup>   |             |   |   |   |   |   |            |   |   |   |   |   | 1 |   |   |   |
| 501 ... 1 000 mm (19.72 ... 39.37 inch) <sup>25)</sup>   |             |   |   |   |   |   |            |   |   |   |   |   | 2 |   |   |   |
| 1 001 ... 2 000 mm (39.41 ... 78.74 inch) <sup>25)</sup>   |             |   |   |   |   |   |            |   |   |   |   |   | 3 |   |   |   |
| 2 001 ... 3 000 mm (78.78 ... 118.11 inch) <sup>25)</sup>  |             |   |   |   |   |   |            |   |   |   |   |   | 4 |   |   |   |
| 3 001 ... 4 000 mm (118.15 ... 157.48 inch) <sup>25)</sup>   |             |   |   |   |   |   |            |   |   |   |   |   | 5 |   |   |   |
| 4 001 ... 5 000 mm (157.52 ... 196.85 inch) <sup>25)</sup>   |             |   |   |   |   |   |            |   |   |   |   |   | 6 |   |   |   |
| 5 001 ... 6 000 mm (196.89 ... 236.22 inch) <sup>25)</sup>   |             |   |   |   |   |   |            |   |   |   |   |   | 7 |   |   |   |
| <b>Rod ø 16 mm/C22</b>   |             |   |   |   |   |   |            |   |   |   |   |   |   |   |   |   |
| 501 ... 1 000 mm (19.72 ... 39.37 inch) <sup>25)</sup>   |             |   |   |   |   |   |            |   |   |   |   |   | 9 | R | 1 | A |
| 1 001 ... 2 000 mm (39.41 ... 78.74 inch) <sup>25)</sup>   |             |   |   |   |   |   |            |   |   |   |   |   | 9 | R | 1 | B |
| 2 001 ... 3 000 mm (78.78 ... 118.11 inch) <sup>25)</sup>  |             |   |   |   |   |   |            |   |   |   |   |   | 9 | R | 1 | C |
| 3 001 ... 4 000 mm (118.15 ... 157.48 inch) <sup>25)</sup>   |             |   |   |   |   |   |            |   |   |   |   |   | 9 | R | 1 | D |
| 4 001 ... 5 000 mm (157.52 ... 196.85 inch) <sup>25)</sup>   |             |   |   |   |   |   |            |   |   |   |   |   | 9 | R | 1 | E |
| 5 001 ... 6 000 mm (196.89 ... 236.22 inch) <sup>25)</sup>   |             |   |   |   |   |   |            |   |   |   |   |   | 9 | R | 1 | F |
| <b>Rod ø 8 mm/316L</b>   |             |   |   |   |   |   |            |   |   |   |   |   |   |   |   |   |

## SITRANS LG series

## Selection and ordering data (continued)

|  | Article No.                  | Order Code |   |   |   |
|--|------------------------------|------------|---|---|---|
| <b>SITRANS LG270 Guided radar level transmitter</b><br><b>Continuous, contact, 60 m (197 ft) range. Monitors level and</b><br><b>interface in liquids in extreme environments.</b> | 7ML5883- ● ● ● ● ● - ● ● ● ● | ● ● ● ●    |   |   |   |
| 300 ... 1 000 mm (11.81 ... 39.37 inch)  |                              | 9          | R | 1 | H |
| 1 001 ... 2 000 mm (39.41 ... 78.74 inch)  |                              | 9          | R | 1 | J |
| 2 001 ... 3 000 mm (78.78 ... 118.11 inch)   |                              | 9          | R | 1 | K |
| 3 001 ... 4 000 mm (118.15 ... 157.48 inch)  |                              | 9          | R | 1 | L |
| 4 001 ... 5 000 mm (157.52 ... 196.85 inch)  |                              | 9          | R | 1 | M |
| 5 001 ... 6 000 mm (196.89 ... 236.22 inch)  |                              | 9          | R | 1 | N |
| <b><u>Cable lengths ø 2 or 4 mm/316L</u></b>   |                              |            |   |   |   |
| 501 ... 1 000 mm<br>(19.72 ... 39.37 inch)   |                              | 9          | R | 2 | E |
| 1 000 ... 5 000 mm<br>(39.37 ... 196.85 inch)  |                              | 9          | R | 2 | F |
| 5 001 ... 10 000 mm<br>(196.89 ... 393.70 inch)  |                              | 9          | R | 2 | G |
| 10 001 ... 15 000 mm<br>(393.74 ... 590.55 inch)   |                              | 9          | R | 2 | H |
| 15 001 ... 20 000 mm<br>(590.59 ... 787.40 inch)   |                              | 9          | R | 2 | J |
| 20 001 ... 25 000 mm<br>(787.44 ... 984.25 inch)   |                              | 9          | R | 2 | K |
| 25 001 ... 30 000 mm (984.29 ... 1 181.10 inch)  |                              | 9          | R | 2 | L |
| 30 001 ... 35 000 mm (1 181.14 ... 1 377.95 inch)  |                              | 9          | R | 2 | M |
| 35 001 ... 40 000 mm (1 377.99 ... 1 574.80 inch)  |                              | 9          | R | 2 | N |
| 40 001 ... 45 000 mm (1 574.84 ... 1 771.65 inch)  |                              | 9          | R | 2 | P |
| 45 001 ... 50 000 mm (1 771.69 ... 1 968.50 inch)  |                              | 9          | R | 2 | Q |
| 50 001 ... 55 000 mm (1 968.54 ... 2 165.35 inch)  |                              | 9          | R | 2 | R |
| 55 001 ... 60 000 mm (2 165.39 ... 2 362.20 inch)  |                              | 9          | R | 2 | S |
| <b><u>Cable lengths ø 4 mm/C22</u></b>   |                              |            |   |   |   |
| 501 ... 1 000 m<br>(19.72 ... 39.37 inch)  |                              | 9          | R | 4 | A |
| 1 000 ... 5 000 mm<br>(39.37 ... 196.85 inch)  |                              | 9          | R | 4 | B |
| 5 001 ... 10 000 mm<br>(196.89 ... 393.70 inch)  |                              | 9          | R | 4 | C |
| 10 001 ... 15 000 mm<br>(393.74 ... 590.55 inch)   |                              | 9          | R | 4 | D |
| 15 001 ... 20 000 mm<br>(590.59 ... 787.40 inch)   |                              | 9          | R | 4 | E |
| 20 001 ... 25 000 mm<br>(787.44 ... 984.25 inch)   |                              | 9          | R | 4 | F |
| 25 001 ... 30 000 mm<br>(984.29 ... 1 181.10 inch)   |                              | 9          | R | 4 | G |
| 30 001 ... 35 000 mm<br>(1 181.14 ... 1 377.95 inch)   |                              | 9          | R | 4 | H |
| 35 001 ... 40 000 mm<br>(1 377.99 ... 1 574.80 inch)   |                              | 9          | R | 4 | J |
| 40 001 ... 45 000 mm<br>(1 574.84 ... 1 771.65 inch)   |                              | 9          | R | 4 | K |
| 45 001 ... 50 000 mm<br>(1 771.69 ... 1 968.50 inch)   |                              | 9          | R | 4 | L |
| 50 001 ... 55 000 mm<br>(1 968.54 ... 2 165.35 inch)   |                              | 9          | R | 4 | M |
| 55 001 ... 60 000 mm<br>(2 165.39 ... 2 362.20 inch)   |                              | 9          | R | 4 | N |
| <b><u>Coax ø 42.2 mm/316L</u></b>  |                              |            |   |   |   |
| 300 ... 1 000 mm (11.81 ... 39.37 inch) <sup>25)</sup>   |                              | 9          | R | 3 | G |
| 1 001 ... 2 000 mm (39.41 ... 78.74 inch) <sup>25)26)</sup>  |                              | 9          | R | 3 | H |
| 2 001 ... 3 000 mm (78.78 ... 118.11 inch) <sup>25)</sup>  |                              | 9          | R | 3 | J |
| 3 001 ... 4 000 mm (118.15 ... 157.48 inch) <sup>25)</sup>   |                              | 9          | R | 3 | K |
| 4 001 ... 5 000 mm (157.52 ... 196.85 inch) <sup>25)</sup>   |                              | 9          | R | 3 | L |
| 5 001 ... 6 000 mm (196.89 ... 236.22 inch) <sup>25)</sup>   |                              | 9          | R | 3 | M |
| <b><u>Coax ø 42.2 mm/C22</u></b>   |                              |            |   |   |   |

## Selection and ordering data (continued)

|   | Article No.                  | Order Code |
|---|------------------------------|------------|
| <b>SITRANS LG270 Guided radar level transmitter</b><br>Continuous, contact, 60 m (197 ft) range. Monitors level and interface in liquids in extreme environments. | 7ML5883- ● ● ● ● ● - ● ● ● ● | ● ● ●      |
| 300 ... 1 000 mm (11.81 ... 39.37 inch) <sup>25)</sup>  |                              | 9 R 3 Q    |
| 1 001 ... 2 000 mm (39.41 ... 78.74 inch) <sup>25)26)</sup>   |                              | 9 R 3 R    |
| 2 001 ... 3 000 mm (78.78 ... 118.11 inch) <sup>25)</sup>   |                              | 9 R 3 S    |
| 3 001 ... 4 000 mm (118.15 ... 157.48 inch) <sup>25)</sup>  |                              | 9 R 3 T    |
| 4 001 ... 5 000 mm (157.52 ... 196.85 inch) <sup>25)</sup>  |                              | 9 R 3 U    |
| 5 001 ... 6 000 mm (196.89 ... 236.22 inch) <sup>25)</sup>  |                              | 9 R 3 V    |
| <b>Coax ø 21.3 mm/316L</b>  |                              |            |
| 300 ... 1 000 mm (11.81 ... 39.37 inch)   |                              | 9 R 5 A    |
| 1 001 ... 2 000 mm<br>(39.41 ... 78.74 inch)  |                              | 9 R 5 B    |
| 2 001 ... 3 000 mm<br>(78.78 ... 118.11 inch)   |                              | 9 R 5 C    |
| 3 001 ... 4 000 mm<br>(118.15 ... 157.48 inch)  |                              | 9 R 5 D    |
| 4 001 ... 5 000 mm<br>(157.52 ... 196.85 inch)  |                              | 9 R 5 E    |
| 5 001 ... 6 000 mm<br>(196.89 ... 236.22 inch)  |                              | 9 R 5 F    |

| Selection and Ordering data                                | Order code |
|--|------------|
| <b>Further designs (mandatory)</b>                         |            |
| Please add "-Z" to Article No. and specify Order code(s).  |            |
| <b>Supplementary electronics</b>                           |            |
| Without  | A00        |
| Additional current output 4 ... 20 mA <sup>6)</sup>        | A01        |
| <b>Dimensions centering weight (diameter/height)</b>       |            |
| Without  | B00        |
| ø 40/30 mm   | B01        |
| ø 45/30 mm (for 2 inch tubes)                              | B02        |
| ø 75/30 mm (for 3 inch tubes)                              | B03        |
| ø 95/30 mm (for 4 inch tubes)                              | B04        |
| ø 40 mm/30 mm  | B05        |
| ø 1.57 inch/1.18 inch (for 2 inch Schedule 160)            |            |
| ø 45 mm/30 mm (for 2 inch tubes)                           | B06        |
| ø 1.77 inch/1.18 inch (for 2 inch Schedule 40/80)          |            |
| ø 75 mm/30 mm (for 3 inch tubes)                           | B07        |
| ø 2.95 inch/1.18 inch (for 3 inch Schedule 10/40)          |            |
| ø 95 mm/30 mm (for 4 inch tubes)                           | B08        |
| ø 3.74 inch/1.18 inch (for 4 inch Schedule 80)             |            |
| <b>Rod mounted</b>   |            |
| Without Rod, applicable for coax or cable probe types only | C00        |
| Mounted  | C01        |
| Not mounted  | C02        |
| <b>Indicating/adjustment module</b>                        |            |
| Without  | E00        |
| Mounted  | E01        |
| Laterally mounted  | E02        |
| <b>Language of display</b>                                 |            |
| German   | L00        |
| English  | L01        |
| French   | L02        |
| Dutch  | L03        |
| Italian  | L04        |

| Selection and Ordering data   | Order code |
|---|------------|
| Spanish   | L05        |
| Portuguese  | L06        |
| Russian   | L07        |
| Chinese   | L08        |
| Japanese  | L09        |
| No language pre-set   | L10        |
| <b>Operating instructions</b>   |            |
| German  | M00        |
| English   | M01        |
| French  | M02        |
| Spanish   | M03        |
| <b>Further designs (optional)</b>   |            |
| Please add "-Z" to Article No. and specify Order code(s).   |            |
| Enter the total insertion length in plain text description  | Y01        |
| Y02 rigid part is 100 mm, only applicable for cable versions  | Y02        |
| Reference probe G length of reference distance = 260 mm/10.24 inches (note blanking 450 mm required with min. probe 1 000 mm) | Y05        |
| Reference probe G length of reference distance = 500 mm/19.69 inches (note blanking 690 mm required with min. probe 1 250 mm) | Y06        |
| Reference probe G length of reference distance = 750 mm/29.53 inches (note blanking 940 mm required with min. probe 1 500 mm) | Y07        |
| Remote electronic cable lengths: 2 m (6.6 ft). Only available with Housing options Q2A and Q2B                                | Y10        |
| Remote electronic cable lengths: 5 m (16.4 ft). Only available with Housing options Q2A and Q2B                               | Y11        |
| Remote electronic cable lengths: 10 m (32.8 ft). Only available with Housing options Q2A and Q2B                              | Y12        |
| Customer specific adjustment (unit value, 100 % distance from seal, 0 % distance from seal)                                   | Y20        |
| Cleaning included certificate: oil, grease and silicone free  | W01        |

## SITRANS LG series

## Selection and ordering data (continued)

| Selection and Ordering data   | Order code |
|---|------------|
| Identification Label (measurement loop) stainless steel, 40 characters max, add in plain text. To add more than one line use a coma "," for line break.     | Y17        |
| Identification Label (measurement loop) foil, 40 characters max, add in plain text. To add more than one line use a coma "," for line break.                | Y18        |
| Material Inspection certificate 3.1 of EN 10204   | C05        |
| 3.1-Inspection Certificate for instrument (EN 10204) <sup>27)</sup>   | C12        |
| Inspection certificate 3.1 (EN 10204, NACE MR 0175) - material. <sup>27)</sup>  | D07        |
| Note: 316L probes include NACE MR 0175 and MR 0103, non 316L probes include MR 0175 only and plated flange designs are not available with NACE certificate. |            |
| 3.1-Inspection Certificate for instrument with test data (EN 10204) <sup>27)</sup>  | C25        |
| 2.2-Factory certificate for material (EN 10204) <sup>27)</sup>  | C15        |
| Quality and test plan <sup>27)</sup>  | C26        |
| Dye penetration test, results confirmed via a 3.1 certificate/instrument (EN10204) <sup>27)</sup>   | C13        |
| X-ray test + 3.1 certificate/instrument <sup>27)</sup>  | C14        |
| Positive material identification test + 3.1 certificate/instrument <sup>27)</sup>   | C16        |
| Roughness test + 3.1 certificate/instrument <sup>27)</sup>  | C18        |
| Pressure test + 3.1 certificate/instrument <sup>27)</sup>   | C31        |
| Helium leak test + 3.1 certificate/instrument <sup>27)</sup>  | C32        |
| Pressure test according to NORSOK + 3.1 certificate/instrument <sup>27)33)</sup>  | C61        |
| 5 point calibration certificate (min. length 500 mm) <sup>27)</sup>   | C62        |
| Pressure test (acc. to ASME B31.1), incl. 3.1 Inspection certificate <sup>28)</sup>   | C63        |
| Certificate: Approval for steam boiler according to EN 12952-11, EN 12953-9 <sup>29)</sup>  | C70        |

| Selection and Ordering data   | Article No.    |
|---|----------------|
| <b>Operating Instructions</b>   |                |
| All literature is available to download for free, in a range of languages, at <a href="http://www.siemens.com/processinstrumentation/documentation">http://www.siemens.com/processinstrumentation/documentation</a> |                |
| <b>Accessories</b>  |                |
| SITRANS LG series/SITRANS RD150 sensor display module   | A5E34143449    |
| SITRANS LG, two-wire 4 ... 20 mA/HART electronic  | A5E35637821    |
| SITRANS LG, USB communicator  | A5E35192015    |
| SITRANS LG, Mounting eye M12 x 20   | PBD:51041448   |
| SITRANS LG, Mounting spring   | PBD:51041449   |
| Siemens Intrinsically Safe Barrier (DC powered), ATEX II 1 G EEx ia   | 7NG4124-0AA00  |
| SITRANS RD100, loop powered display -see Chapter 7  | 7ML5741-.....- |
| SITRANS RD150, remote digital display for 4 ... 20 mA and HART devices - see Chapter 7  | 7ML5742-.....- |

| Selection and Ordering data   | Article No.    |
|---|----------------|
| SITRANS RD200, universal input display with Modbus conversion - see Chapter 7                                 | 7ML5740-.....- |
| SITRANS RD300, dual line display with totalizer and linearization curve and Modbus conversion - see Chapter 7 | 7ML5744-.....- |
| For applicable back up point level switch - see point level measurement section                               |                |

Note: some configuration options are not available. For restriction information see the online PIA configuration tool.

- 1) Not available with Version/Material options E, F, G, J, and K.
- 2) Available only with certain Electronic options.
- 3) Not available with Seal/Process temperature option D.
- 4) Not available with Stainless Steel (electropolished) Housing/Protection/Cable options and certain glands.
- 5) Available only with Supplementary electronic option A00.
- 6) Not available with Indicating/adjusting module E02.
- 7) Not available with Plastic and Stainless Steel (electropolished) Housing/Protection/Cable options and certain glands.
- 8) Available only with Double chamber, Metallic Housing/Protection/Cable options and certain glands.
- 9) Available only with Version/Material options A, B, C, D, and H.
- 10) Not available with Remote and Stainless Steel (electropolished) Housing/Protection/Cable options and certain glands.
- 11) Available only with Single chamber, Aluminum and Stainless steel (precision casting) Housing/Protection/Cable options.
- 12) Available only with Housing/Protection/Cable options N, P, V, and Q2A.
- 13) Not available with Housing/Protection/Cable options W, X, Y, and J.
- 14) Available only with Housing/Protection/Cable options C, E, L, Q.
- 15) Not available with Seal/Process temperature option C.
- 16) Available only with Dimensions centering weight option B00.
- 17) Available only with Rod mounted option C00.
- 18) Not available with Dimensions centering weight option B00.
- 19) Not available with Rod mounted option C00.
- 20) Not available with Seal/Process temperature options C and D.
- 21) Not available with Remote Housing/Protection/Cable options.
- 22) Not available with Seal/Process temperature options B and D.
- 23) Available only with Seal/Process temperature option D.
- 24) Available only with Seal/Process temperature options A, B, and C.
- 25) Not available with Order code Y02.
- 26) Accuracy is application dependent, please consult factory.
- 27) Listed Certificates are not available with all configurations, please contact factory for more information.
- 28) Available only with ASME Process fitting/Material options.
- 29) Available with Version/Material options G, L, M and Electronic options 2 and 6.
- 30) Available only with Alloy C22 Process fitting/Material options.
- 31) Available only with Version/Material option M.
- 32) Available only with some Version/Material options.
- 33) Available only with Process fitting options.
- 34) Available only with Seal/Second line of defense/Process temperature options A and B.
- 35) Available only with 316L probe Version/material options. Nace not available with coated, plated, or hygienic connections.
- 36) FM and CSA approvals are not available with plastic housing enclosures.

Note: Please consult manual for further details.

## Selection and ordering data (continued)

| Selection and Ordering data   | Article No.                    |  |  |  |  |  |  |  |   |   |
|---|--------------------------------|--|--|--|--|--|--|--|---|---|
| SITRANS LG Remote Interface   | 7ML5840- ● ● ● ● ● - ● ● ● ● 0 |  |  |  |  |  |  |  |   |   |
| Provides remote display and configuration for SITRANS LG series guided radar level transmitters.        |                                |  |  |  |  |  |  |  |   |   |
| Click on the Article No. for the online configuration in the PIA Life Cycle Portal.                     |                                |  |  |  |  |  |  |  |   |   |
| Note: for installation of remote display, 7ML5840, with LG two chamber housing options, contact PVC     |                                |  |  |  |  |  |  |  |   |   |
| <b>Approval</b>   |                                |  |  |  |  |  |  |  |   |   |
| For Ex-free area  | 0                              |  |  |  |  |  |  |  |   | A |
| ATEX II 1G, 2G, Ex ia IIC T6 Ga, Gb   | 0                              |  |  |  |  |  |  |  |   | C |
| ATEX II 2G, Ex d IIC T6 Gb <sup>1)</sup>  | 0                              |  |  |  |  |  |  |  |   | E |
| IEC Ex ia IIC T6 Ga, Gb   | 0                              |  |  |  |  |  |  |  |   | F |
| IEC Ex d IIC T6 Gb <sup>1)</sup>  | 0                              |  |  |  |  |  |  |  |   | G |
| cCSA <sub>US</sub> (NI) Class I, Div. 2, Groups A, B, C, D; (DIP) Class II, III, Div. 1, Groups E, F, G | 0                              |  |  |  |  |  |  |  |   | H |
| cCSA <sub>US</sub> (IS) Class I, II, III, Div. 1, Groups A, B, C, D, E, F, G                            | 0                              |  |  |  |  |  |  |  |   | J |
| cCSA <sub>US</sub> (XP) Class I, Div. 1, Groups A, B, C, D <sup>1)</sup>                                | 0                              |  |  |  |  |  |  |  |   | K |
| INMETRO Ex ia IIC T6 Ga, Gb   | 0                              |  |  |  |  |  |  |  |   | L |
| INMETRO Ex d IIC T6 Gb <sup>1)</sup>  | 0                              |  |  |  |  |  |  |  |   | M |
| Shipping Approval (DNV/GL) <sup>6)</sup>  | 0                              |  |  |  |  |  |  |  |   | N |
| ATEX II 1G, 2G Ex ia IIC T6 Ga, Gb + Ship approval  | 0                              |  |  |  |  |  |  |  |   | P |
| ATEX II 2G Ex db IIC T6 Gb + Ship approval <sup>1)</sup>  | 0                              |  |  |  |  |  |  |  |   | Q |
| IEC Ex ia IIC T6 Ga, Gb + Ship approval   | 0                              |  |  |  |  |  |  |  |   | R |
| IEC Ex db IIC T6 Gb + Ship approval <sup>1)</sup>   | 0                              |  |  |  |  |  |  |  |   | S |
| cCSA <sub>US</sub> (IS) Class I, II, III, Div. 1, Groups A, B, C, D, E, F, G + Ship approval            | 0                              |  |  |  |  |  |  |  |   | T |
| cCSA <sub>US</sub> (XP) Class I, Div. 1, Groups A, B, C, D + Ship approval <sup>1)</sup>                | 0                              |  |  |  |  |  |  |  |   | U |
| <b>Electronics</b>  |                                |  |  |  |  |  |  |  |   |   |
| Digital (I <sup>2</sup> C communication)  |                                |  |  |  |  |  |  |  |   | A |
| <b>Housing</b>  |                                |  |  |  |  |  |  |  |   |   |
| Plastic <sup>2)4)</sup>   |                                |  |  |  |  |  |  |  | 0 |   |
| Aluminum <sup>3)5)</sup>  |                                |  |  |  |  |  |  |  | 1 |   |
| Stainless Steel (precision casting) <sup>3)5)</sup>   |                                |  |  |  |  |  |  |  | 2 |   |
| <b>Housing protection</b>   |                                |  |  |  |  |  |  |  |   |   |
| IP66/IP67 NEMA 4X   |                                |  |  |  |  |  |  |  | 0 |   |
| IP66/IP68 NEMA 6P (0.2 bar)   |                                |  |  |  |  |  |  |  | 1 |   |
| <b>Cable entry</b>  |                                |  |  |  |  |  |  |  |   |   |
| M20 x 1.5/ Blind plug   |                                |  |  |  |  |  |  |  | 3 |   |
| ½" NPT/ Blind plug  |                                |  |  |  |  |  |  |  | 5 |   |
| <b>Display</b>  |                                |  |  |  |  |  |  |  |   |   |
| Without   |                                |  |  |  |  |  |  |  |   | A |
| Mounted   |                                |  |  |  |  |  |  |  |   | B |
| <b>Mounting</b>   |                                |  |  |  |  |  |  |  |   |   |
| For wall mounting with Aluminum or stainless steel housing  |                                |  |  |  |  |  |  |  |   | A |
| For carrier rail and wall mounting with plastic housing   |                                |  |  |  |  |  |  |  |   | B |
| For carrier rail with Aluminum or stainless steel housing   |                                |  |  |  |  |  |  |  |   | C |
| For tube mounting (29 ... 60 mm) including mounting material  |                                |  |  |  |  |  |  |  |   | D |
| <b>Certificates</b>   |                                |  |  |  |  |  |  |  |   |   |
| None  |                                |  |  |  |  |  |  |  |   | 0 |
| 3.1 Certificate/Instrument with test data   |                                |  |  |  |  |  |  |  |   | 1 |
| Quality and Test plan   |                                |  |  |  |  |  |  |  |   | 2 |

1) Available only with Housing options 1 and 2.

2) Available only with Housing option 0.

3) Available only with Housing option 1.

4) Available only with Mounting options B and D.

5) Not available with Mounting option B.

6) Shipping approval is only available with housing options 0 and 1.

## SITRANS LG series

## Selection and ordering data (continued)

| SITRANS LG Replacement Probes<br>For use with SITRANS LG series guided radar level transmitters.  |  | Article No.<br>7ML5841- ● ● ● ● ● - ● ● ● 0 |  |  |  |  |  |  |  |   |   |   |
|---|--|---|--|--|--|--|--|--|--|---|---|---|
| Click on the Article No. for the online configuration in the PIA Life Cycle Portal.               |  |   |  |  |  |  |  |  |  |   |   |   |
| <b>Instrument</b>   |  |   |  |  |  |  |  |  |  |   |   |   |
| LG240 <sup>4)</sup>   |  |   |  |  |  |  |  |  |  |   | 0 |   |
| LG250 <sup>6)</sup>   |  |   |  |  |  |  |  |  |  |   | 1 |   |
| LG260 <sup>7)</sup>   |  |   |  |  |  |  |  |  |  |   | 2 |   |
| LG270 <sup>9)10)</sup>  |  |   |  |  |  |  |  |  |  |   | 3 |   |
| <b>Probe Type<sup>3)</sup></b>  |  |   |  |  |  |  |  |  |  |   |   |   |
| Exchangeable cable ø 2 mm with gravity weight/316 <sup>1)11)</sup>                                |  |   |  |  |  |  |  |  |  | A | A |   |
| Exchangeable cable ø 2 mm center weight/316 <sup>2)11)</sup>                                      |  |   |  |  |  |  |  |  |  | A | C |   |
| Exchangeable cable ø 4 mm without weight/316 <sup>1)11)</sup>                                     |  |   |  |  |  |  |  |  |  | A | D |   |
| Exchangeable cable ø 4 mm with gravity weight/316 <sup>1)11)</sup>                                |  |   |  |  |  |  |  |  |  | A | E |   |
| Exchangeable cable ø 4 mm with center weight/316 <sup>2)11)</sup>                                 |  |   |  |  |  |  |  |  |  | A | G |   |
| Exchangeable cable ø 6 mm with gravity weight/316 <sup>1)8)11)</sup>                              |  |   |  |  |  |  |  |  |  | A | H |   |
| Exchangeable rod ø 8 mm/316L <sup>1)</sup>  |  |   |  |  |  |  |  |  |  | A | P |   |
| Exchangeable rod ø 8 mm/1.4435 (acc. to Basle Standard) <sup>1)</sup>                             |  |   |  |  |  |  |  |  |  | A | Q |   |
| Exchangeable rod ø 12 mm/316L <sup>1)</sup>   |  |   |  |  |  |  |  |  |  | A | U |   |
| Exchangeable rod ø 16 mm/316L <sup>1)</sup>   |  |   |  |  |  |  |  |  |  | A | W |   |
| Exchangeable coated cable ø4 mm with uncoated centering weight / PFA and 316 <sup>1)12)</sup>     |  |   |  |  |  |  |  |  |  | B | A |   |
| <b>Process fitting</b>  |  |   |  |  |  |  |  |  |  |   |   |   |
| Thread less than or equal to 1½ inch  |  |   |  |  |  |  |  |  |  |   | 0 |   |
| Thread greater than or equal to 2 inch  |  |   |  |  |  |  |  |  |  |   | 1 |   |
| Flange less than DN 50 or 2 inch  |  |   |  |  |  |  |  |  |  |   | 2 |   |
| Flange greater or equal to DN 50 or 2 inch or hygienic fitting (not for safety ingold 25 x 46 mm) |  |   |  |  |  |  |  |  |  |   | 3 |   |
| <b>Dimension centering weight</b>   |  |   |  |  |  |  |  |  |  |   |   |   |
| Without   |  |   |  |  |  |  |  |  |  |   | 0 |   |
| ø 40 mm/30 mm   |  |   |  |  |  |  |  |  |  |   | 1 |   |
| ø 45 mm/30 mm (for 2 inch tubes)  |  |   |  |  |  |  |  |  |  |   | 2 |   |
| ø 75 mm/30 mm (for 3 inch tubes)  |  |   |  |  |  |  |  |  |  |   | 3 |   |
| ø 95 mm/30 mm (for 4 inch tubes)  |  |   |  |  |  |  |  |  |  |   | 4 |   |
| ø 1.57 inch/1.18 inch (for 2 inch Schedule 160)   |  |   |  |  |  |  |  |  |  |   | 5 |   |
| ø 1.77 inch/1.18 inch (for 2 inch Schedule 40/80)   |  |   |  |  |  |  |  |  |  |   | 6 |   |
| ø 2.95 inch/1.18 inch (for 3 inch Schedule 10/40)   |  |   |  |  |  |  |  |  |  |   | 7 |   |
| ø 3.74 inch/1.18 inch (for 4 inch Schedule 80)  |  |   |  |  |  |  |  |  |  |   | 8 |   |
| <b>Certificates</b>   |  |   |  |  |  |  |  |  |  |   |   |   |
| Without   |  |   |  |  |  |  |  |  |  |   | 0 |   |
| 2.2 Material certificate  |  |   |  |  |  |  |  |  |  |   | 1 |   |
| 3.1 Material certificate  |  |   |  |  |  |  |  |  |  |   | 2 |   |
| <b>Lengths</b>  |  |   |  |  |  |  |  |  |  |   |   |   |
| <b><u>Rod ø 8 mm</u></b>  |  |   |  |  |  |  |  |  |  |   |   |   |
| 300 ... 1 000 mm (11.81 ... 39.37 inch)   |  |   |  |  |  |  |  |  |  |   | A | A |
| 1 001 ... 2 000 mm (39.41 ... 78.74 inch)   |  |   |  |  |  |  |  |  |  |   | A | B |
| 2 001 ... 3 000 mm (78.78 ... 118.11 inch)  |  |   |  |  |  |  |  |  |  |   | A | C |
| 3 001 ... 4 000 mm (118.15 ... 157.48 inch)   |  |   |  |  |  |  |  |  |  |   | A | D |
| 4 001 ... 5 000 mm (157.52 ... 196.85 inch)   |  |   |  |  |  |  |  |  |  |   | A | E |
| 5 001 ... 6 000 mm (196.89 ... 236.22 inch)   |  |   |  |  |  |  |  |  |  |   | A | F |
| <b><u>Rod ø 12 mm</u></b>   |  |   |  |  |  |  |  |  |  |   |   |   |
| 300 ... 1 000 mm (11.81 ... 39.37 inch)   |  |   |  |  |  |  |  |  |  |   | A | G |
| 1 001 ... 2 000 mm (39.41 ... 78.74 inch)   |  |   |  |  |  |  |  |  |  |   | A | H |
| 2 001 ... 3 000 mm (78.78 ... 118.11 inch)  |  |   |  |  |  |  |  |  |  |   | A | J |
| 3 001 ... 4 000 mm (118.15 ... 157.48 inch)   |  |   |  |  |  |  |  |  |  |   | A | K |
| 4 001 ... 5 000 mm (157.52 ... 196.85 inch)   |  |   |  |  |  |  |  |  |  |   | A | L |
| 5 001 ... 6 000 mm (196.89 ... 236.22 inch)   |  |   |  |  |  |  |  |  |  |   | A | M |

## Selection and ordering data (continued)

| SITRANS LG Replacement Probes<br>For use with SITRANS LG series guided radar level transmitters. | Article No. |   |   |   |   |   |   |   |  |   |   |
|--|-------------|---|---|---|---|---|---|---|--|---|---|
|  | 7           | M | L | 5 | 8 | 4 | 1 | - |  |   | 0 |
| <b>Rod ø 16 mm</b>   |             |   |   |   |   |   |   |   |  |   |   |
| 300 ... 1 000 mm (11.81 ... 39.37 inch)  |             |   |   |   |   |   |   |   |  | A | N |
| 1 001 ... 2 000 mm (39.41 ... 78.74 inch)  |             |   |   |   |   |   |   |   |  | A | P |
| 2 001 ... 3 000 mm (78.78 ... 118.11 inch)   |             |   |   |   |   |   |   |   |  | A | Q |
| 3 001 ... 4 000 mm (118.15 ... 157.48 inch)  |             |   |   |   |   |   |   |   |  | A | R |
| 4 001 ... 5 000 mm (157.52 ... 196.85 inch)  |             |   |   |   |   |   |   |   |  | A | S |
| 5 001 ... 6 000 mm (196.89 ... 236.22 inch)  |             |   |   |   |   |   |   |   |  | A | T |
| <b>Cable Lengths ø 2 mm and 4 mm/316</b>   |             |   |   |   |   |   |   |   |  |   |   |
| 501 ... 1 000 mm (19.72 ... 39.37 inch)  |             |   |   |   |   |   |   |   |  | A | U |
| 1 001 ... 5 000 mm (39.41 ... 196.85 inch)   |             |   |   |   |   |   |   |   |  | A | V |
| 5 000 ... 10 000 mm (196.85 ... 393.70 inch)   |             |   |   |   |   |   |   |   |  | A | W |
| 10 001 ... 15 000 mm (393.74 ... 590.55 inch)  |             |   |   |   |   |   |   |   |  | A | X |
| 15 001 ... 20 000 mm (590.59 ... 787.40 inch)  |             |   |   |   |   |   |   |   |  | A | Y |
| 20 001 ... 25 000 mm (787.44 ... 984.25 inch)  |             |   |   |   |   |   |   |   |  | B | A |
| 25 001 ... 30 000 mm (984.29 ... 1 181.10 inch)  |             |   |   |   |   |   |   |   |  | B | B |
| 30 001 ... 35 000 mm (1 181.14 ... 1 377.95 inch)  |             |   |   |   |   |   |   |   |  | B | C |
| 35 001 ... 40 000 mm (1 377.99 ... 1 574.80 inch)  |             |   |   |   |   |   |   |   |  | B | D |
| 40 001 ... 45 000 mm (1 574.84 ... 1 771.65 inch)  |             |   |   |   |   |   |   |   |  | B | E |
| 45 001 ... 50 000 mm (1 771.69 ... 1 968.50 inch)  |             |   |   |   |   |   |   |   |  | B | F |
| 50 001 ... 55 000 mm (1 968.54 ... 2 165.35 inch)  |             |   |   |   |   |   |   |   |  | B | G |
| 55 001 ... 60 000 mm (2 165.39 ... 2 362.20 inch)  |             |   |   |   |   |   |   |   |  | B | H |
| 60 001 ... 65 000 mm (2 362.24 ... 2 559.06 inch)  |             |   |   |   |   |   |   |   |  | B | J |
| 65 001 ... 70 000 mm (2 559.09 ... 2 755.91 inch)  |             |   |   |   |   |   |   |   |  | B | K |
| 70 001 ... 75 000 mm (2 755.94 ... 2 952.76 inch)  |             |   |   |   |   |   |   |   |  | B | L |
| <b>Cable Lengths ø 6 mm/316</b>  |             |   |   |   |   |   |   |   |  |   |   |
| 501 ... 1 000 mm (19.72 ... 39.37 inch)  |             |   |   |   |   |   |   |   |  | B | M |
| 1 001 ... 5 000 mm (39.41 ... 196.85 inch)   |             |   |   |   |   |   |   |   |  | B | N |
| 5 000 ... 10 000 mm (196.89 ... 393.70 inch)   |             |   |   |   |   |   |   |   |  | B | P |
| 10 001 ... 15 000 mm (393.74 ... 590.55 inch)  |             |   |   |   |   |   |   |   |  | B | Q |
| 15 001 ... 20 000 mm (590.59 ... 787.40 inch)  |             |   |   |   |   |   |   |   |  | B | R |
| 20 001 ... 25 000 mm (787.44 ... 984.25 inch)  |             |   |   |   |   |   |   |   |  | B | S |
| 25 001 ... 30 000 mm (984.29 ... 1 181.10 inch)  |             |   |   |   |   |   |   |   |  | B | T |
| 30 001 ... 35 000 mm (1 181.14 ... 1 377.95 inch)  |             |   |   |   |   |   |   |   |  | B | U |
| 35 001 ... 40 000 mm (1 377.99 ... 1 574.80 inch)  |             |   |   |   |   |   |   |   |  | B | V |
| 40 001 ... 45 000 mm (1 574.84 ... 1 771.65 inch)  |             |   |   |   |   |   |   |   |  | B | W |
| 45 001 ... 50 000 mm (1 771.69 ... 1 968.50 inch)  |             |   |   |   |   |   |   |   |  | B | X |
| 50 001 ... 55 000 mm (1 968.54 ... 2 165.35 inch)  |             |   |   |   |   |   |   |   |  | B | Y |
| 55 001 ... 60 000 mm (2 165.39 ... 2 362.20 inch)  |             |   |   |   |   |   |   |   |  | C | A |
| 60 001 ... 65 000 mm (2 362.24 ... 2 559.06 inch)  |             |   |   |   |   |   |   |   |  | C | B |
| 65 001 ... 70 000 mm (2 559.09 ... 2 755.91 inch)  |             |   |   |   |   |   |   |   |  | C | C |
| 70 001 ... 75 000 mm (2 755.94 ... 2 952.76 inch)  |             |   |   |   |   |   |   |   |  | C | D |
| <b>Cable Lengths ø 4 mm/316</b>  |             |   |   |   |   |   |   |   |  |   |   |
| 300 ... 1 000 mm (12 ... 39.37 inch)   |             |   |   |   |   |   |   |   |  | D | A |
| 1 001 ... 2 000 mm (39.41 ... 78.74 inch)  |             |   |   |   |   |   |   |   |  | D | B |
| 2 001 ... 5 000 mm (78.77 ... 196.85 inch)   |             |   |   |   |   |   |   |   |  | D | C |
| 5 001 ... 10 000 mm (196.89 ... 393.70 inch)   |             |   |   |   |   |   |   |   |  | D | D |
| 10 001 ... 15 000 mm (393.74 ... 590.55 inch)  |             |   |   |   |   |   |   |   |  | D | E |
| 15 001 ... 20 000 mm (590.59 ... 787.40 inch)  |             |   |   |   |   |   |   |   |  | D | F |
| 20 001 ... 25 000 mm (787.44 ... 984.25 inch)  |             |   |   |   |   |   |   |   |  | D | G |
| 25 001 ... 32 000 mm (984.29 ... 1 259.84 inch)  |             |   |   |   |   |   |   |   |  | D | H |

## SITRANS LG series

## Selection and ordering data (continued)

| Selection and Ordering data   | Order code |
|---|------------|
| <b>Further designs</b>  |            |
| Please add "-Z" to Article No. and specify Order code(s).   |            |
| Enter the total insertion length in plain text description  | <b>Y01</b> |
| Total length: Enter the total length of rigid part (range 100 ... 1 000 mm LG270 limited to 100 mm) (cable versions only) | <b>Y02</b> |

- 1) Available only with Dimension centering weight option 0.  
 2) Available only with Dimension centering weight options 1 ... 8.  
 3) All Probe types are only available with corresponding Probe lengths.

- 4) Not available with Probe type options AH, AQ, and AW.  
 5) Available only with Process fitting options 2 and 3.  
 6) Not available with Probe type options AQ and AW.  
 7) Available only with Probe type options AE, AH, and AW.  
 8) Not available with Process fitting option 2.  
 9) Available only with Probe type options AA, AC, AE, AG, and AW.  
 10) Available only with Process fitting options 0 and 3.  
 11) Not available with certificate options 1 and 2.  
 12) Available only with Dimension centering weight options 1 ... 4.

| SITRANS LG Spacers<br>For use with SITRANS LG series guided radar level transmitters.              | Article No.<br>7ML5842- ● ● ● ● - 0 0 A A 0 |   |   |   |  |  |   |  |  |  |
|--|---|---|---|---|--|--|---|--|--|--|
| Click on the Article No. for the online configuration in the PIA Life Cycle Portal.                |   |   |   |   |  |  |   |  |  |  |
| <b>Instrument</b>  |   |   |   |   |  |  |   |  |  |  |
| LG240 <sup>1)</sup>  |   | 0 |   |   |  |  |   |  |  |  |
| LG250 <sup>2)</sup>  |   | 1 |   |   |  |  |   |  |  |  |
| LG260 <sup>3)</sup>  |   | 2 |   |   |  |  |   |  |  |  |
| LG270 <sup>3)</sup>  |   | 3 |   |   |  |  |   |  |  |  |
| <b>Version/Material</b>  |   |   |   |   |  |  |   |  |  |  |
| Cable ø 4 mm/ PFA <sup>4)</sup>  |   |   | A | A |  |  |   |  |  |  |
| Rod ø 8 mm including fastening/ PEEK can be shortened <sup>5)</sup>                                |   |   | A | B |  |  |   |  |  |  |
| Rod ø 10 mm/ PFA <sup>4)</sup>   |   |   | A | C |  |  |   |  |  |  |
| Rod ø 12 mm including fastening/ PEEK can be shortened <sup>5)</sup>                               |   |   | A | D |  |  |   |  |  |  |
| Rod ø 16 mm, cable with gravity weight, including fastening/ PEEK can be shortened <sup>5)7)</sup> |   |   | A | E |  |  |   |  |  |  |
| Cable ø 2 mm including fastening/ PEEK and 316L  |   |   | A | F |  |  |   |  |  |  |
| Rod ø 16 mm including fastening/ 1.4568 (AISI 631) flexible <sup>8)</sup>                          |   |   | A | G |  |  |   |  |  |  |
| Rod ø 8 mm including fastening/ PTFE can be shortened <sup>5)</sup>                                |   |   | A | H |  |  |   |  |  |  |
| Rod ø 12 mm including fastening/ 1.4568 (AISI 631) flexible <sup>6)</sup>                          |   |   | A | G |  |  |   |  |  |  |
| <b>Tube diameter</b>   |   |   |   |   |  |  |   |  |  |  |
| 50 mm (2 inch) up to 100 mm (4 inch)   |   |   |   |   |  |  | 1 |  |  |  |
| 49.2 mm (1.9 inch) up to 56.3 mm (2.2 inch)  |   |   |   |   |  |  | 2 |  |  |  |
| 66.6 mm (2.6 inch) up to 84.9 mm (3.3 inch)  |   |   |   |   |  |  | 3 |  |  |  |

- 1) Available only with Version/Material options AA and AC.  
 2) Available only with Version/Material options AB, AD, AE, AH and AJ.  
 3) Available only with Version/Material options AE and AG.  
 4) Available only with Tube Diameter option 1 and LG240.  
 5) Available only with Tube Diameter options 2 and 3 and LG250.  
 6) Available only with Tube Diameter option 1 and LG250.  
 7) Available only with Tube diameter option 1 and LG260 or LG270.  
 8) Available only with Tube Diameter options 2 and 3 and LG260 or LG270.



## Technical specifications

| SITRANS LG series   |   | SITRANS LG series  |   |
|---|---|--|---|
| <b>Mode of operation</b>  |   | <b>Enclosure</b>   |   |
| Measuring principle   | Guided wave radar measurement   | <ul style="list-style-type: none"> <li>Plastic housing plastic PBT (Polyester)</li> <li>Aluminum die-cast housing, aluminum die-cast AlSi10 mg, powder-coated- basis: polyester</li> <li>Stainless steel housing, precision casting 316L</li> <li>Stainless steel housing, electropolished 316L</li> </ul> | <ul style="list-style-type: none"> <li>Type 4/NEMA 4, IP65</li> <li>Plastic housing IP66/IP67</li> <li>Aluminum and stainless steel housings are IP66/68</li> </ul> |
| Measuring range   | 300 ... 75 000 mm (11.81 ... 2 952.75 inch)   |  |   |
| <b>Output</b>   |   | <b>Degree of protection</b>  |   |
| mA analog output with HART digital signal   | 4 ... 20 mA/HART (SIL optional)   | <ul style="list-style-type: none"> <li>Cable inlet</li> </ul>  | 2 x M20 x 1.5 or 2 x ½" NPT   |
| Output range  |   |  |   |
| • Analog  | Current: minimum 3.8 mA, maximum 20.5 mA  | <b>Process connections</b>   |   |
| • Startup current   | ≤ 10 mA for 5 ms after switching on, ≤ 3.6 mA   | • Pipe thread, cylindrical (ISO 228 T1)  | G¾" A, G1" A, G1½" A according to DIN 3852-A  |
| Diagnostic alarm  | Failure signal current output (adjustable): last valid measured value, ≥ 21 mA, ≤ 3.6 mA                          | • American pipe thread, conical (ASME B1.20.1)   | ¾" NPT, 1" NPT, 1½" NPT   |
| Digital communication   | HART Version 7 x and multidrop compatible   | • Flanged  | DIN from DN 25, ASME from 1"  |
| Modbus  | Modbus RTU, Modbus ASCII  | • Hygienic   | Hygienic fittings   |
| PROFIBUS PA   | PROFIBUS PA profile 3.02  | <b>Process seal instrument side</b>  |   |
| FOUNDATION Fieldbus   | FOUNDATION Fieldbus protocol Physical layer according to IEC 61158-2  | FKM (SHS FPM 70C3 GLT), FFKM (Kalrez 6375), EPDM (A+P 70.10-02), silicone FEP coated (A+P FEPO-SEAL) or Borosilicate glass GPC 540   |   |
| <b>Performance</b>  |   | <b>Second line of defense (glass seal) (optional)</b>  |   |
| • Measuring cycle time  | Process reference conditions according to DIN EN 61298-1  | Borosilicate glass GPC 540   |   |
| • Step response time  | < 500 ms  | Note: The second line of defense is a second level of the process separation in the form of a gas-tight feedthrough in the lower part of the housing, preventing product from penetrating into the housing.  |   |
| • Temperature Effects   | ≤ 3 s   | <b>Programming</b>   |   |
| Non-linearity   | The measurement error from the process conditions is in the specified pressure and temperature range of below 1 % | Local  |   |
| • Coaxial   |   | Handheld communicator  |   |
| • Single rod probes   |   | PC   |   |
| • Interface models  | See manual for more details   | <b>Power</b>   |   |
| Resolution and repeatability  | Accuracy +/- 2 mm (0.08 inch)   | 2-wire Hart version  |   |
| Accuracy  |   | 4-wire versions  |   |
| • Coaxial/rod/cable probes  | +/- 2 mm (0.08 inch)  | Modbus   |   |
| • Interface models  | +/- 5 mm (0.197 inch)<br>Note: Typical deviation, Interface measurement. See manual for full explanation.         | PROFIBUS PA  |   |
| <b>Rated operating conditions</b>   |   | FOUNDATION Fieldbus  |   |
| Ambient temperature for enclosure   | -40 ... +80 °C (-40 ... +176 °F)  | Note: see manual for specific power based on ordered options   |   |
| Storage temperature   | -40 ... +80 °C (-40 ... +176 °F)  | <b>Certificates and approvals</b>  |   |
| LCD readable temperature range  | -40 ... +80 °C (-40 ... +176 °F) with display heated option   | Hazardous approvals:   |   |
| Location  | Indoor/outdoor  | ATEX, FM, CSA, IECex   |   |
| Installation category   | II  | Note: other regional approvals are available   |   |
| Pollution degree  | 2   | Hygienic approvals:  |   |
| Relative Humidity   | 20 ... 85 %   | EHEDG, FDA   |   |
| <b>Medium conditions</b>  |   | Overfill protection  |   |
| Dielectric constant   | dK ≥ 1.4 (configuration dependent)<br>Note: for measurement below 1.4 use probe end tracking.                     | Ship approval  |   |
| Process temperature range   | -196 ... +450 °C (-321 ... +842 °F)   | WHG, Vlarex  |   |
| Vessel pressure   | -1 ... +400 bar (-100 ... +40 000 kPa)  | ABS, CCS, GL, BV, LR   |   |
| <b>Design</b>   |   |  |   |
| Instrument weight (dependent on process fitting) - see manual for further details | Approx. 0.8 ... 8 kg (0.176 ... 17.64 lb)   |  |   |
| Materials   |   |  |   |

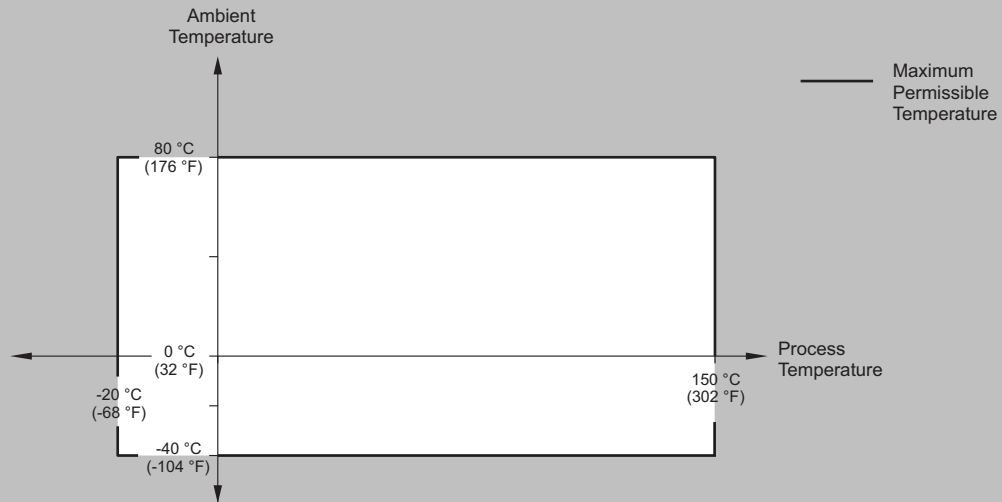
## SITRANS LG series

## Technical specifications (continued)

| Industries                           | SITRANS LG240<br>Food, Beverage and<br>Pharmaceutical  | SITRANS LG250<br>Chemical/HPI/Power/Gener-<br>al   | SITRANS LG260<br>Cement, power<br>generation, food,<br>processing, mineral<br>processing, mining   | SITRANS LG270<br>Chemical/HPI/Power/Gener-<br>al   |
|--------------------------------------|--|--|--|--|
| Applications                         | Hygienic and corrosive applications  | Liquids, storage and process vessels with agitators, vaporous liquids, interface   | Cement, fly ash, grain, coal, flour, plastics  | Aggressive applications in liquids, storage and process vessels with agitators, vaporous liquids, high temperatures and pressures, low dielectric media  |
| Range                                | 32 m   | 75 m   | 60 m   | 60 m   |
| Performance                          | ± 2 mm   | ± 2 mm   | ± 2 mm   | ± 2 mm   |
| Temperature                          | -40 ... +150 °C<br>(-40 ... +302 °F)   | -40 ... +200 °C<br>(-40 ... +392 °F)   | -40 ... +200 °C<br>(-40 ... +392 °F)   | -196 ... +450 °C<br>(-320.8 ... +842 °F)   |
| Process pressure                     |  |  |  |  |
| Standard version                     | -  | -1 ... +40 bar/<br>-100 ... +4 000 kPa<br>(-14.5 ... +580 psig), depending on the process fitting  | -  | -  |
| With borosilicate glass lead-through | -  | -1 ... +100 bar/<br>-100 ... +10 000 kPa<br>(-14.5 ... +1 450 psig), depending on the process fitting  | -  | -  |
| Communications                       | <ul style="list-style-type: none"> <li>• 4 ... 20 mA/HART</li> <li>• Modbus: Modbus RTU, Modbus ASCII</li> <li>• PROFIBUS PA</li> <li>• FOUNDATION Fieldbus</li> <li>• SIMATIC PDM</li> <li>• DTM/FDT for PACTware</li> <li>• Fieldcare</li> </ul> | <ul style="list-style-type: none"> <li>• 4 ... 20 mA/HART</li> <li>• Modbus: Modbus RTU, Modbus ASCII</li> <li>• PROFIBUS PA</li> <li>• FOUNDATION Fieldbus</li> <li>• SIMATIC PDM</li> <li>• DTM/FDT for PACTware</li> <li>• Fieldcare</li> </ul> | <ul style="list-style-type: none"> <li>• 4 ... 20 mA/HART</li> <li>• Modbus: Modbus RTU, Modbus ASCII</li> <li>• PROFIBUS PA</li> <li>• FOUNDATION Fieldbus</li> <li>• SIMATIC PDM</li> <li>• DTM/FDT for PACTware</li> <li>• Fieldcare</li> </ul> | <ul style="list-style-type: none"> <li>• 4 ... 20 mA/HART</li> <li>• Modbus: Modbus RTU, Modbus ASCII</li> <li>• PROFIBUS PA</li> <li>• FOUNDATION Fieldbus</li> <li>• SIMATIC PDM</li> <li>• DTM/FDT for PACTware</li> <li>• Fieldcare</li> </ul> |

## Characteristic curves

SITRANS LG240, Ambient temperature/process temperature, standard version

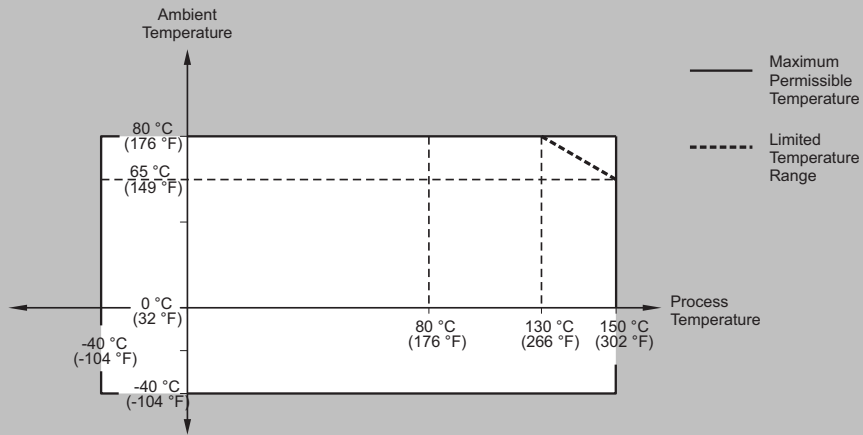


SITRANS LG240, ambient temperature/process temperature curve

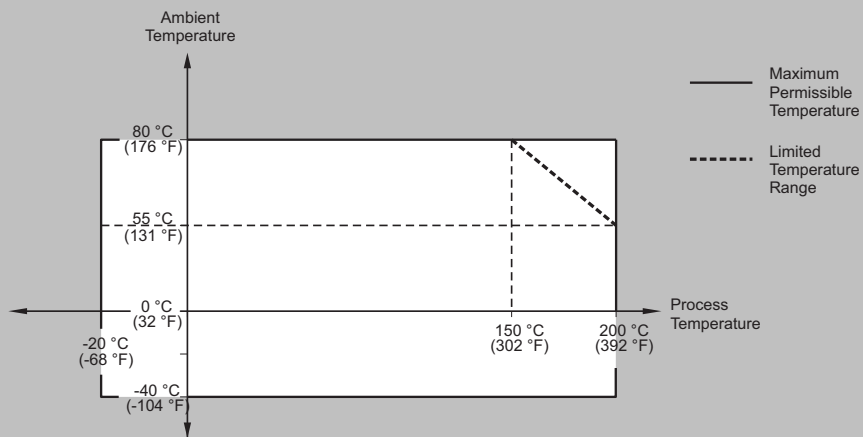
SITRANS LG series

Characteristic curves (continued)

SITRANS LG250, Ambient temperature/process temperature, standard version

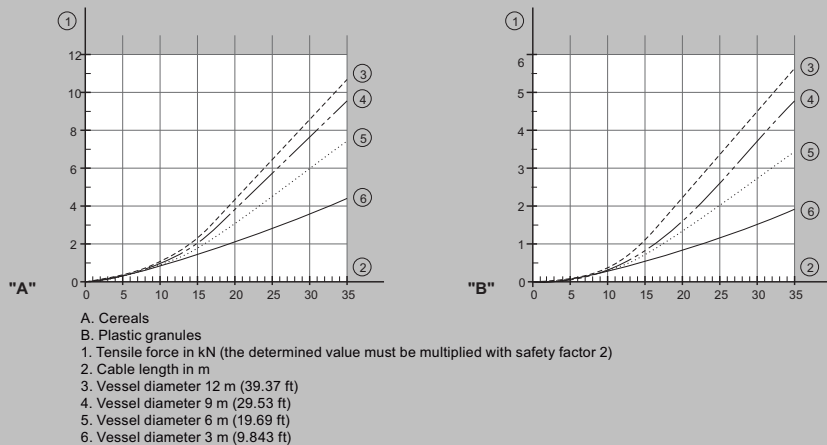
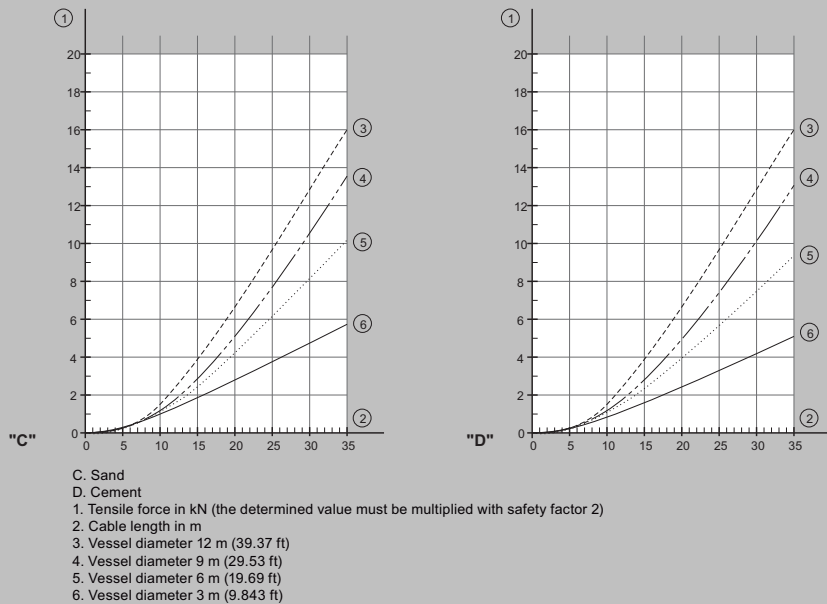


SITRANS LG250, Ambient temperature/process temperature, temperature adapter version



SITRANS LG250, ambient temperature/process temperature curves

## Characteristic curves (continued)

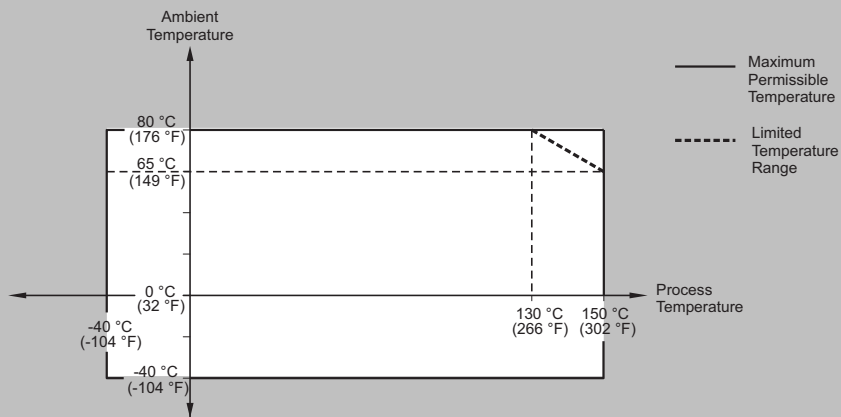
SITRANS LG260, Maximum tensile load with cereals and plastic granules - cable:  $\varnothing$  4 mm (0.157 inch)SITRANS LG260, Maximum tensile load with sand and cement - cable:  $\varnothing$  4 mm (0.157 inch)

SITRANS LG260, maximum tensile load curves

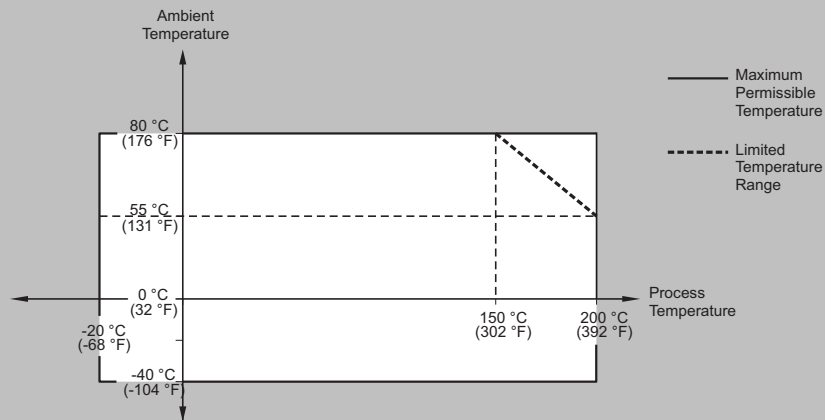
## SITRANS LG series

## Characteristic curves (continued)

**SITRANS LG260, Ambient temperature/process temperature, standard version**  
 Cable version with  $\varnothing$  4 mm (0.157 inch)  
 Cable version, PA coated with  $\varnothing$  6 mm (0.236 inch)



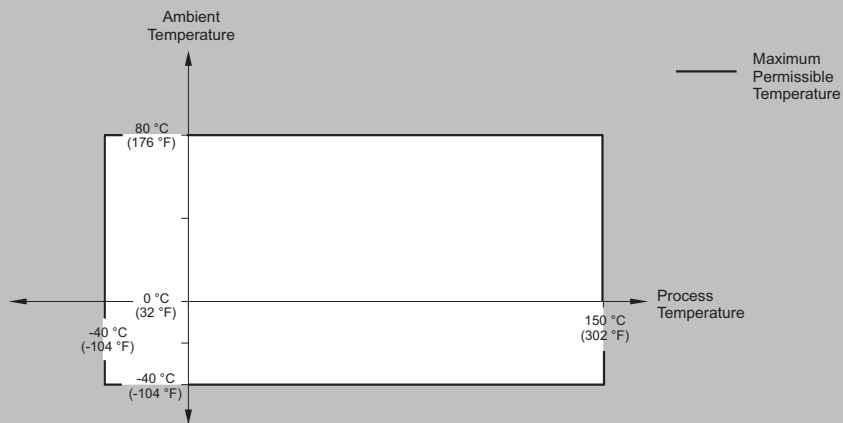
**SITRANS LG260, Ambient temperature/process temperature, temperature adapter version**  
 Cable version with  $\varnothing$  4 mm (0.157 inch)  
 Cable version, PA coated with  $\varnothing$  6 mm (0.236 inch)



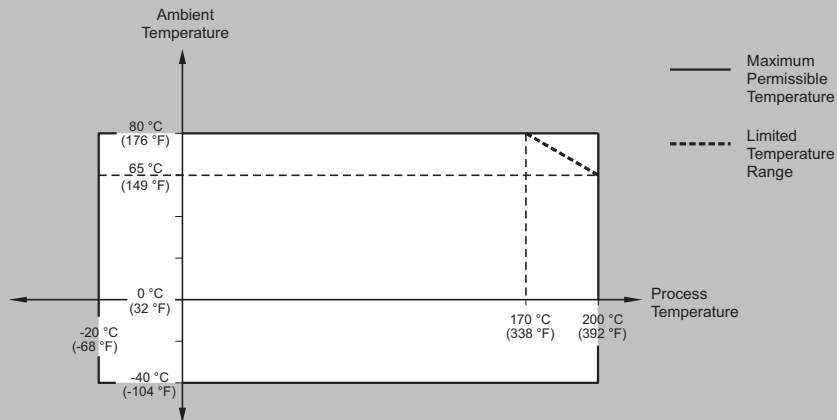
SITRANS LG260, ambient temperature/process temperature curves

## Characteristic curves (continued)

**SITRANS LG260, Ambient temperature/process temperature, standard version**  
**Cable version with  $\varnothing$  6 mm (0.236 inch)**  
**Cable version, PA coated with  $\varnothing$  11 mm (0.433 inch)**



**SITRANS LG260, Ambient temperature/process temperature, temperature adapter version**  
**Cable version with  $\varnothing$  6 mm (0.236 inch)**  
**Cable version, PA coated with  $\varnothing$  11 mm (0.433 inch)**

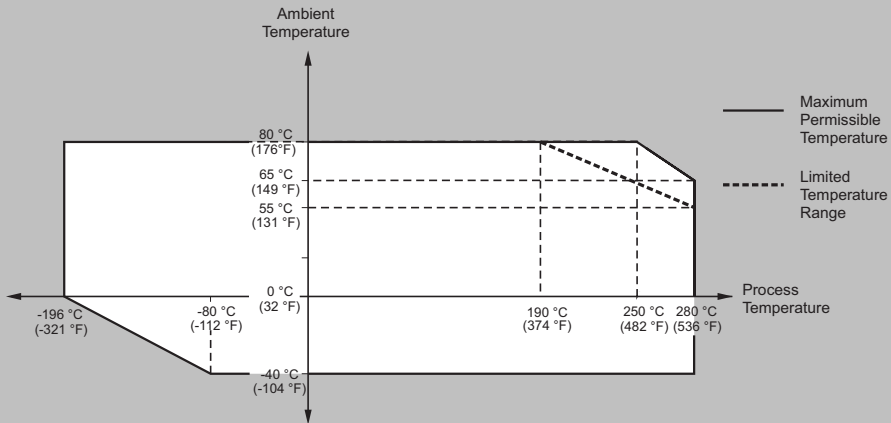


SITRANS LG260, ambient temperature/process temperature curves

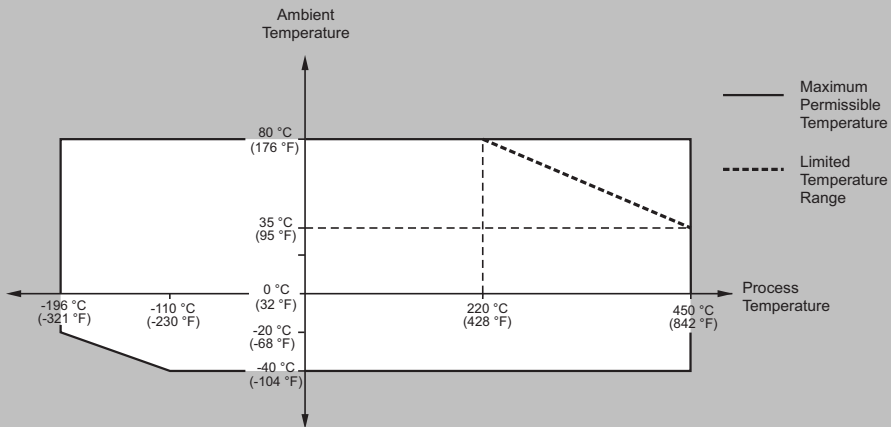
SITRANS LG series

Characteristic curves (continued)

SITRANS LG270, Ambient temperature/process temperature ( -196 ... +280 °C/-321 ... +536 °F version)



SITRANS LG270, Ambient temperature/process temperature ( -196 ... +450 °C/-321 ... +842 °F version)

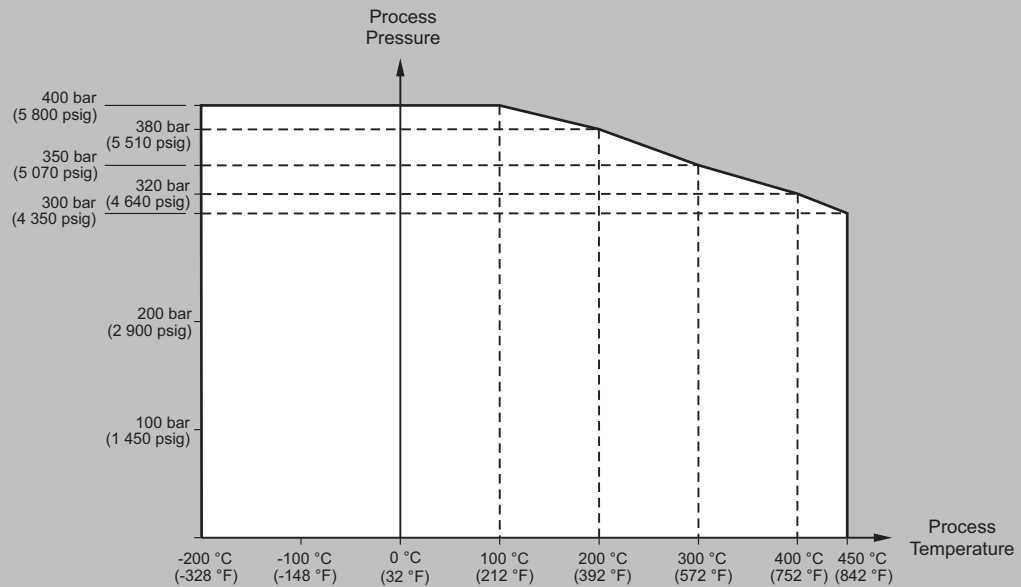


SITRANS LG270, ambient temperature/process temperature curves



## Characteristic curves (continued)

SITRANS LG270, Process pressure/process temperature ( -196 ... +450 °C/-321 ... +842 °F version)

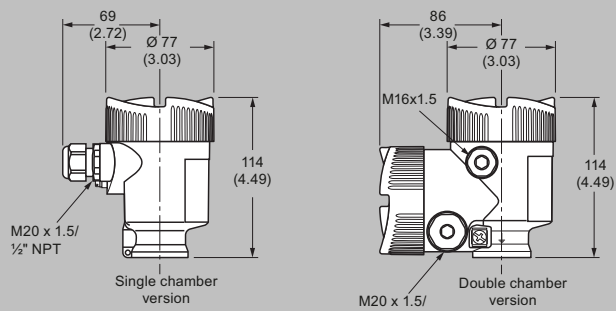


SITRANS LG270, process pressure/process temperature curve

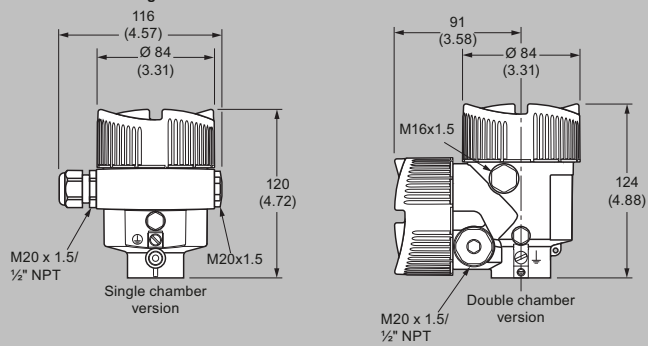
## SITRANS LG series

## Dimensional drawings

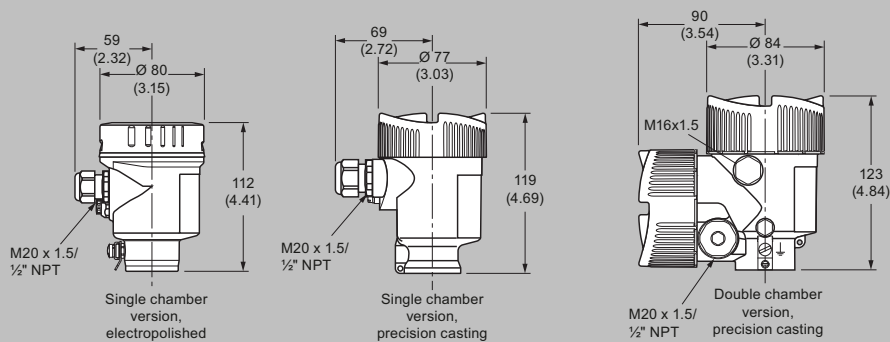
## SITRANS LG Series plastic housing



## SITRANS LG Series aluminum housing



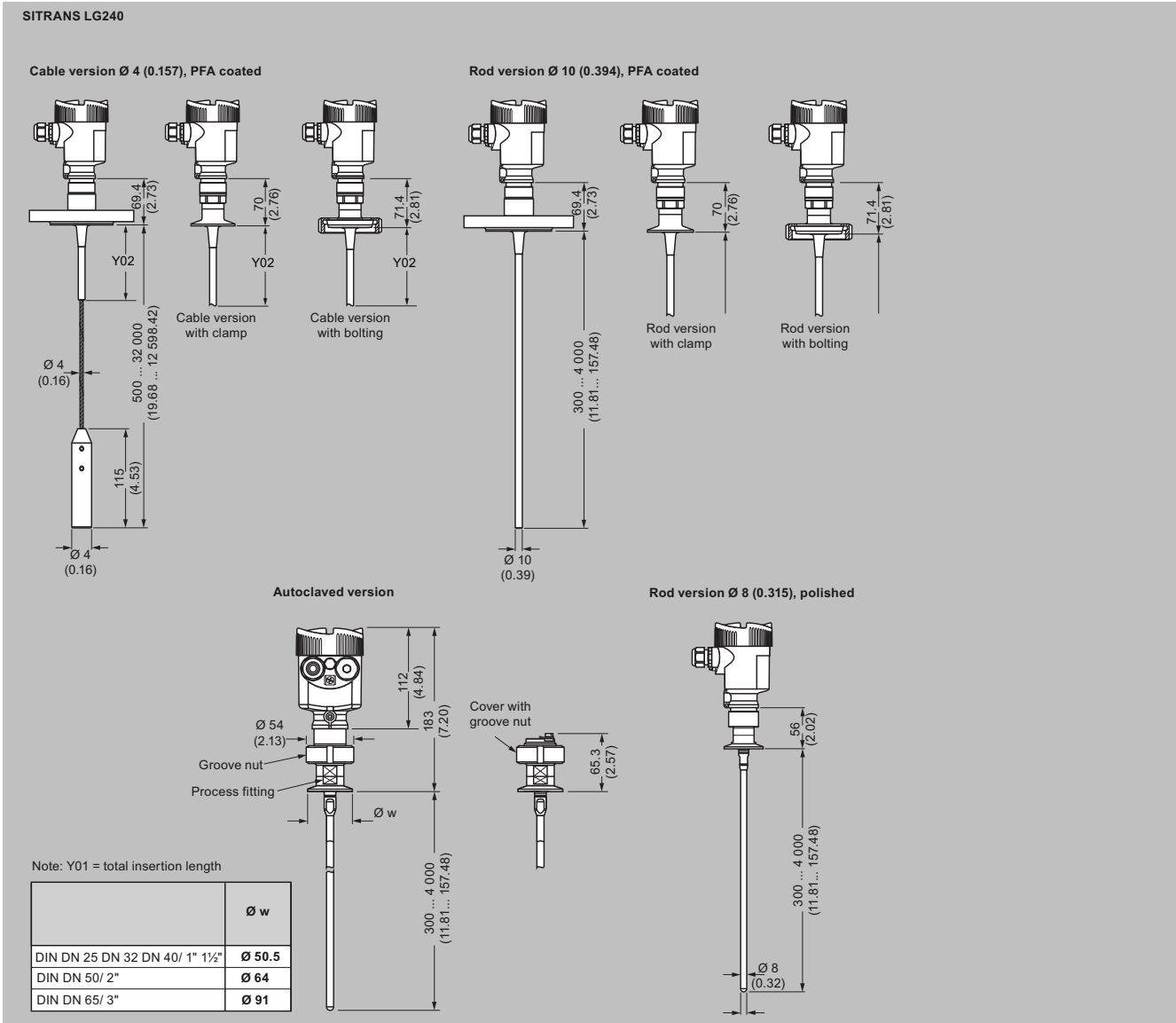
## SITRANS LG Series stainless steel housing



Note: For integrated display and adjustment module the housing is 9 (0.35) higher for all housing options

SITRANS LG series, dimensions in mm (inch)

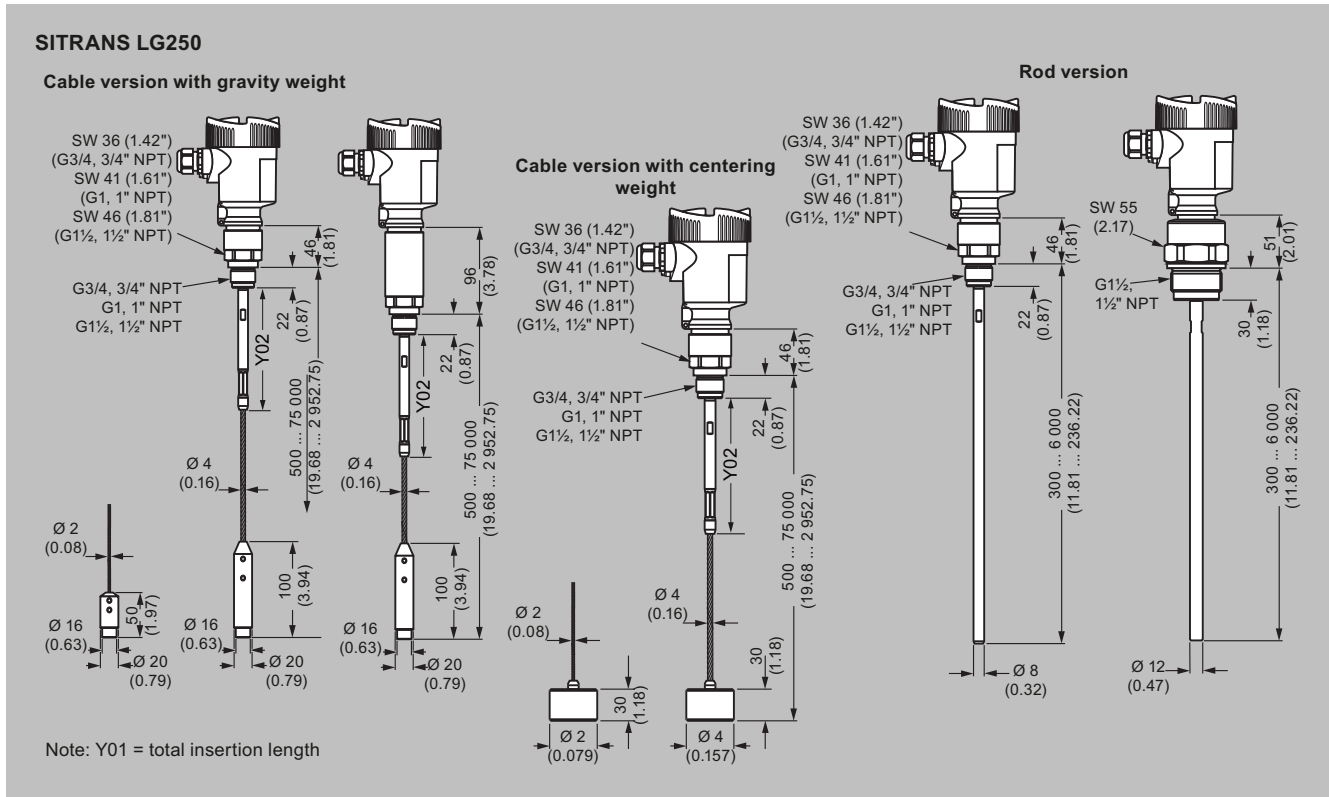
Dimensional drawings (continued)



SITRANS LG240, dimensions in mm (inch)

## SITRANS LG series

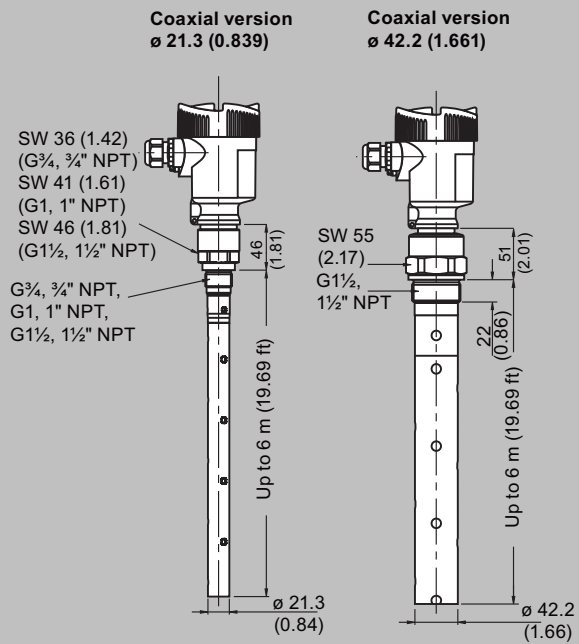
## Dimensional drawings (continued)



SITRANS LG250, dimensions in mm (inch)

## Dimensional drawings (continued)

## SITRANS LG250, coax version

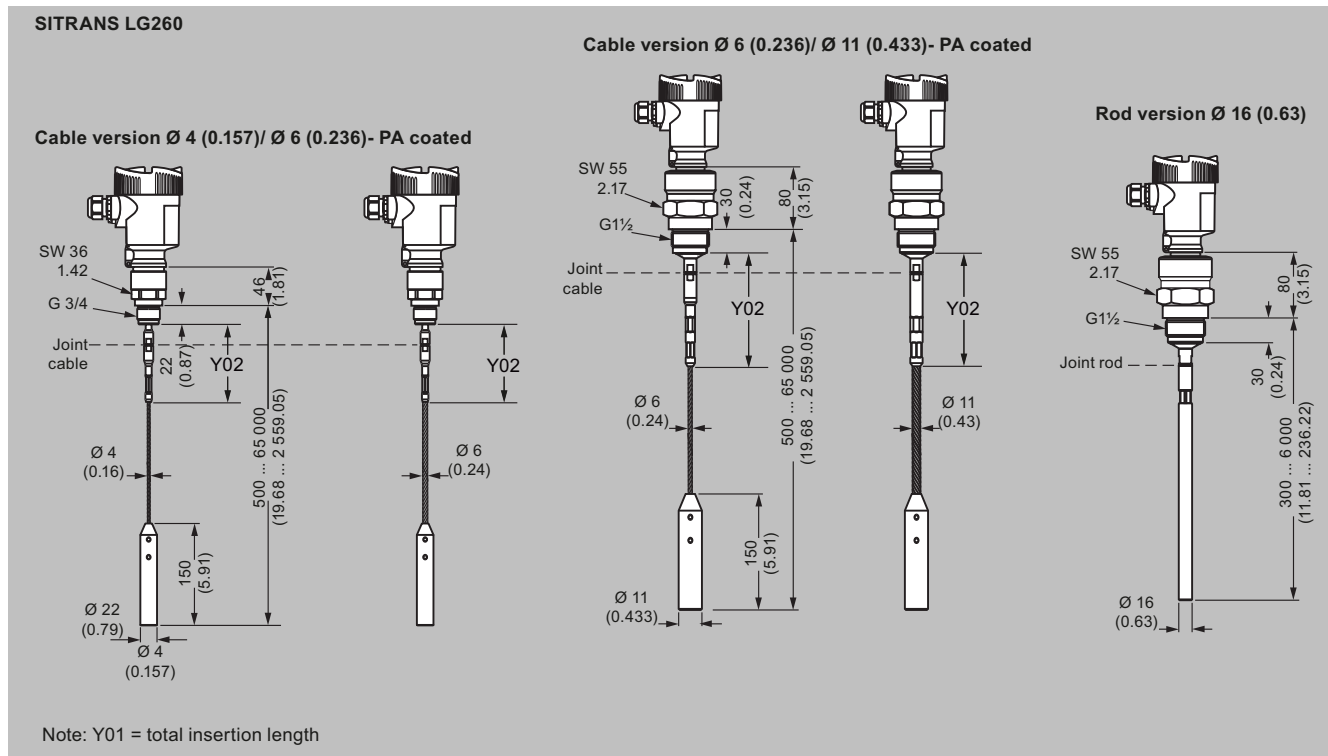


Note: Y01 = total insertion length

SITRANS LG250, dimensions in mm (inch)

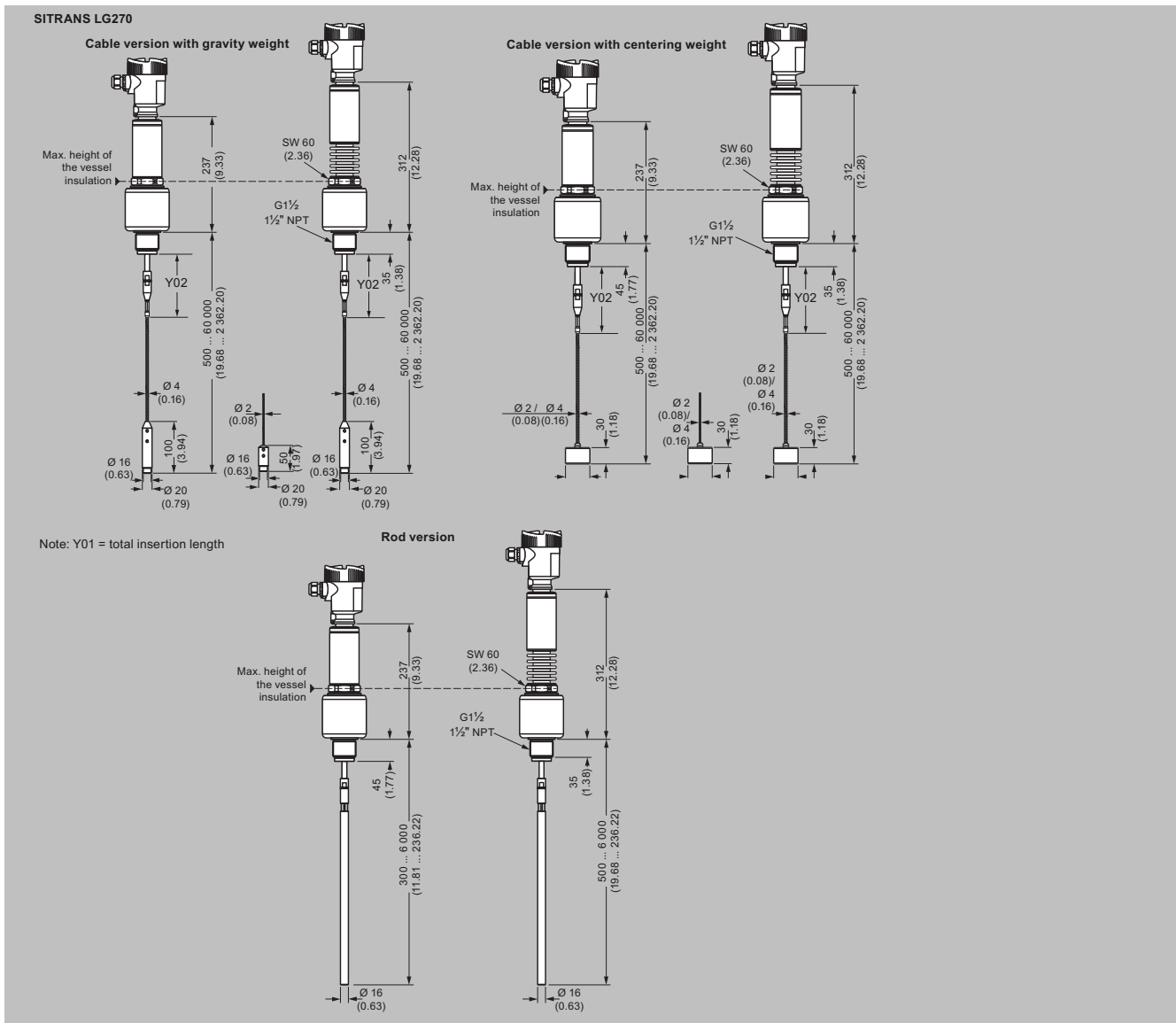
## SITRANS LG series

## Dimensional drawings (continued)



SITRANS LG260, dimensions in mm (inch)

## Dimensional drawings (continued)

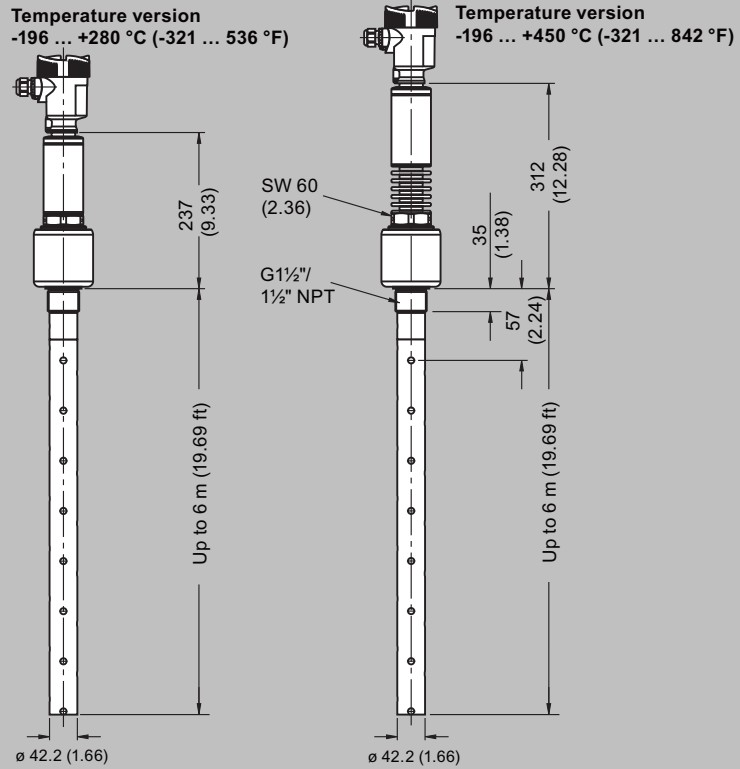


SITRANS LG270, dimensions in mm (inch)

SITRANS LG series

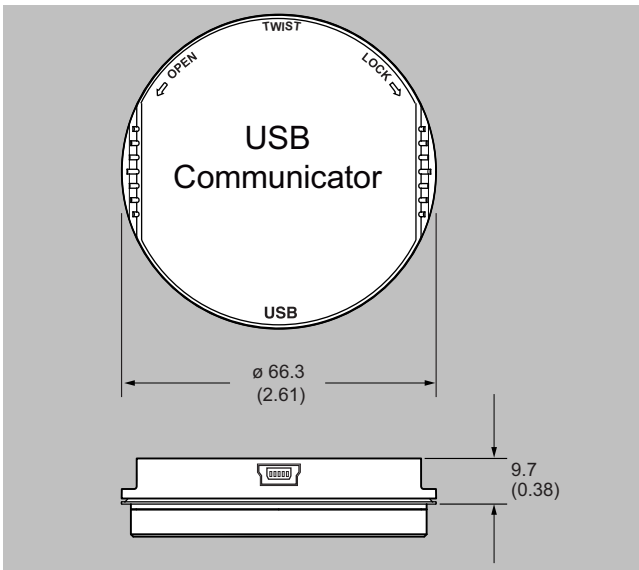
Dimensional drawings (continued)

SITRANS LG270, coax version



Note: Y01 = total insertion length

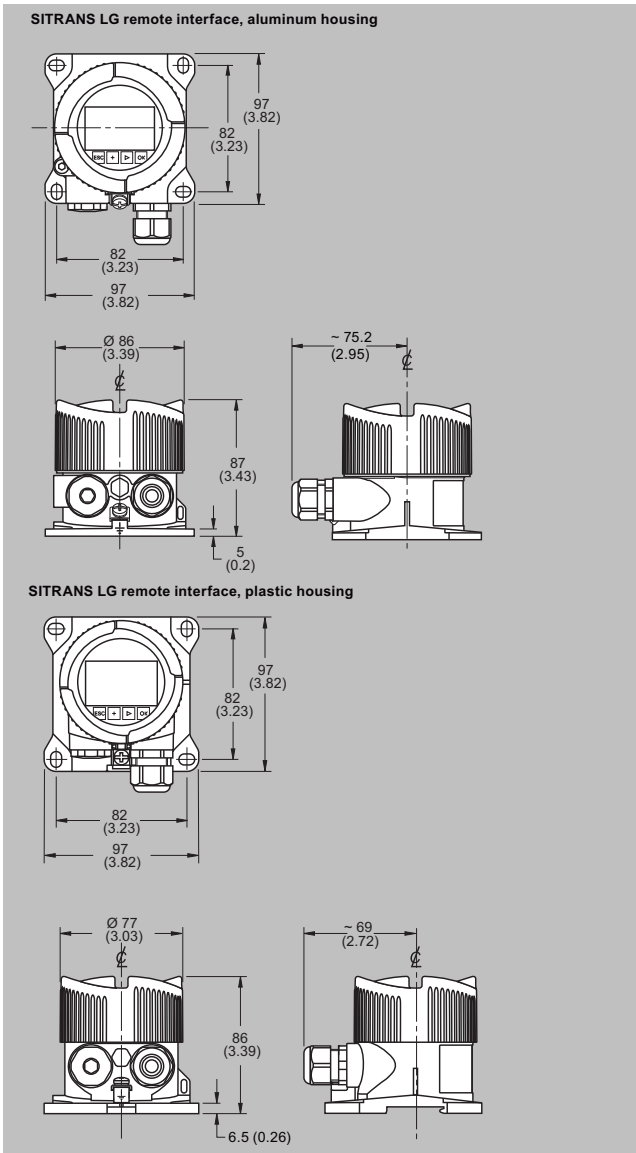
SITRANS LG270, dimensions in mm (inch)



SITRANS LG USB Communicator, dimensions in mm (inch)



## Dimensional drawings (continued)

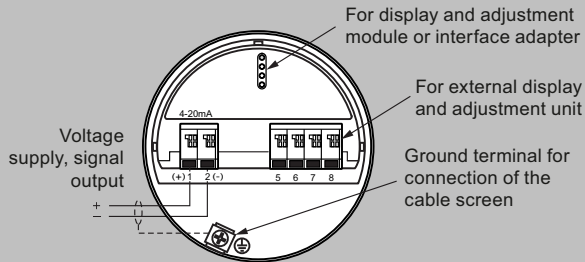


SITRANS LG remote interface, dimensions in mm (inch)

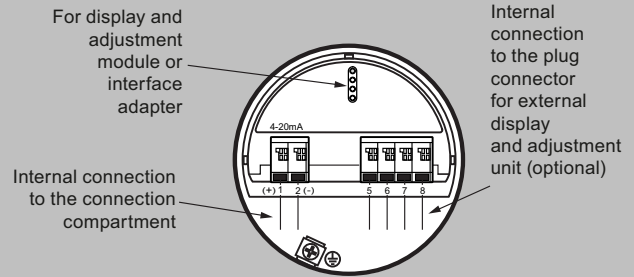
SITRANS LG series

Circuit diagrams

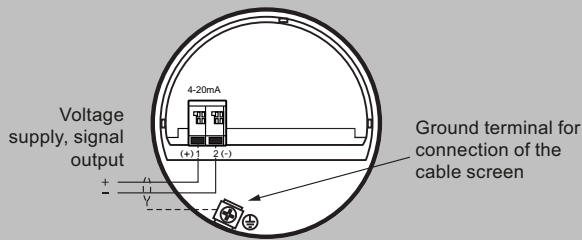
**2-wire HART electronic option, electronics and connection compartment, single chamber housing**



**2-wire HART electronic option, electronics compartment, double chamber housing**



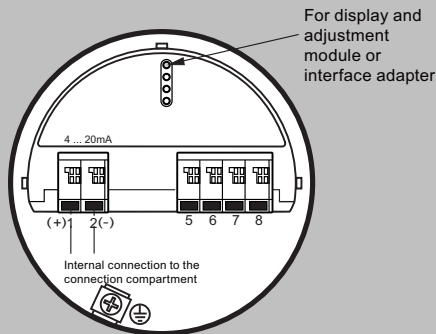
**2-wire HART electronic option, connection compartment, Ex-d-ia double chamber housing**



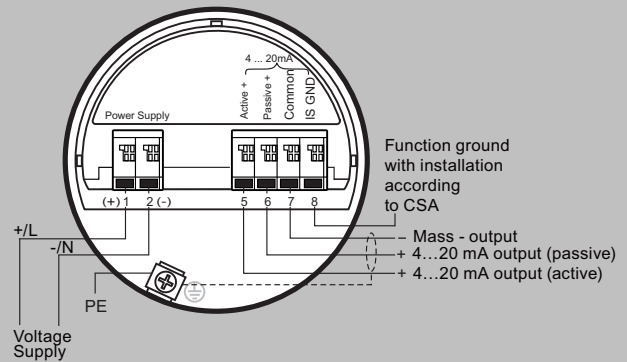
Note: All 2-wire HART connections and electronics are also available with SIL qualification.

SITRANS LG series connections

**4-wire HART electronic option, electronics compartment, double chamber housing**



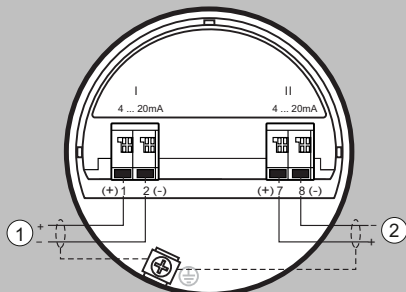
**4-wire electronic option, connection compartment, double chamber housing with mains voltage**



SITRANS LG series connections

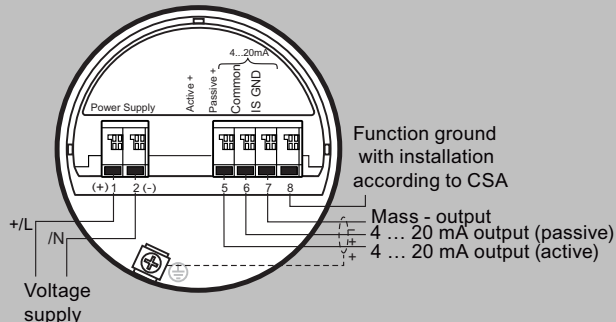
Circuit diagrams (continued)

Supplementary electronics



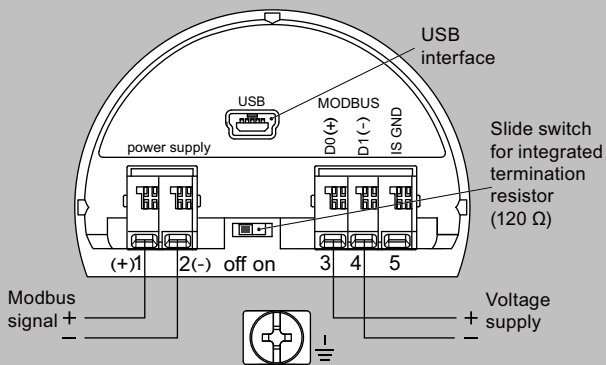
- ① First current output (I) - Voltage supply and signal output (HART)
- ② Second current output (II) - Voltage supply and signal output (without HART)

Connection compartment with low voltage

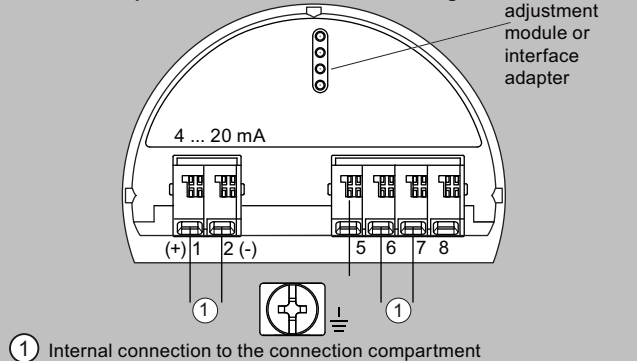


SITRANS LG series connections

Modbus electronic option, connection compartment



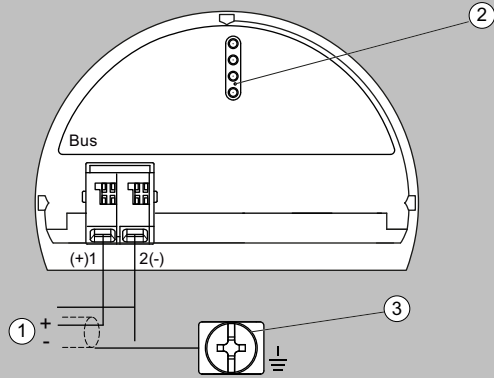
Modbus electronic option, electronics compartment, double chamber housing



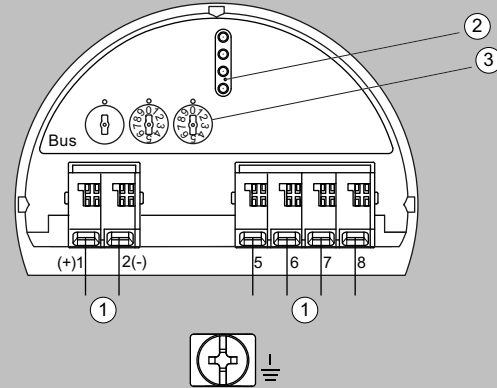
SITRANS LG series connections

## SITRANS LG series

## Circuit diagrams (continued)

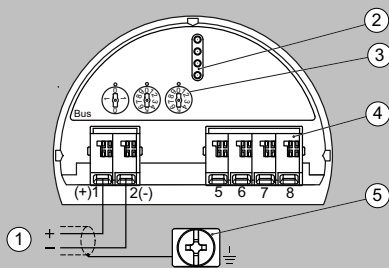
**PROFIBUS electronic option, connection compartment, double chamber housing**


- ① Voltage supply, signal output
- ② For display and adjustment module or interface adapter
- ③ Ground terminal for connection of the cable screen

**PROFIBUS electronic option, electronics compartment, double chamber housing**


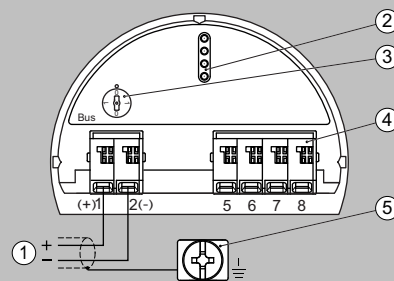
- ① Internal connection to the connection compartment
- ② Contact pins for the display and adjustment module or interface adapter
- ③ Selection switch for bus address

LG series connections

**PROFIBUS electronic option, electronics and connection compartment, single chamber housing**


- ① Voltage supply, signal output
- ② For display and adjustment module or interface adapter
- ③ Selection switch for bus address
- ④ For external display and adjustment unit
- ⑤ Ground terminal for connection of the cable screen

LG series connections

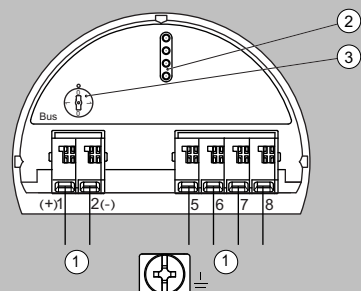
**LG series, FOUNDATION Fieldbus electronic option, electronic and terminal compartment, single chamber housing**


- ① Voltage supply, signal output
- ② Contact pins for the display and adjustment module or interface adapter
- ③ Simulation switch ("1" = mode for simulation release)
- ④ For external display and adjustment unit
- ⑤ Ground terminal for connection of the cable screen

LG series connections

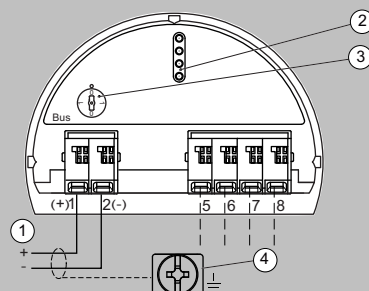
## Circuit diagrams (continued)

**LG series, FOUNDATION Fieldbus electronic option, electronic compartment, double chamber housing**



- ① Internal connection to the connection compartment
- ② Contact pins for the display and adjustment module or interface adapter
- ③ Simulation switch ("on" = simulation mode)

**LG series, FOUNDATION Fieldbus electronic option, terminal compartment, double chamber housing**



- ① Voltage supply, signal output
- ② For display and adjustment module or interface adapter
- ③ For external display and adjustment unit
- ④ Ground terminal for connection of the cable screen

LG series connections